



Description & Features:

- Excellent solution for commercial applications requiring monitoring and control
- Low pressure differential switch for monitoring pressure, vacuum and differential pressure of air and other non combustible, non aggressive gases
- Pressure indicating adjustment knob allows for simple field changes without the need of a pressure gauge
- Pressure ranges in both Inches of Water and Pascals
- Single-pole double-throw (SPDT) switch with 1.0 A 250VAC output
- The compact size allows for hassle-free installation in small areas
- CE, RoHS & REACH compliant
- 5 year warranty

Applications:

- Field applications include: monitoring air filters and ventilators, overheating protection for fan heaters and controlling air and fire protection flaps, protection for heat exchangers, and flow in ventilation ducts

Specifications

Specifications	
Housing Material	Grey colour Polyamide 6.6 plastic
Window Cover Material	Frosted Polystyrene resin
Deadband Accuracy	+/- 15% of upper and lower pressure ratings
Pressure Connection	2 x plastic pipe connection, 6.0mm (1/4") external diameter, labelled P1 & P2
Electrical Connection	Flat plug 6.3mm x 0.8mm or push-on screw terminals with PG-11 or M20x1.5 cable strain relief
Wetted Parts	Silicone based diaphragm, tempered at 392°F (200°C)
Set Point Adjustment	Field adjustable knob
Contact Rating	1.0A 250VAC output, 0.1A 24VDC (low voltage version)
Number of Contacts	Single-pole double-throw (SPDT)
Maximum Operating Pressure	1.45 psi (10 kPa)
Ambient/Process Temperature	-4°F to 185°F (-20°C to 85°C)
Storage Temperature	-40°F to 185°F (-40°C to 85°C)
Enclosure Rating	IP54
Approvals	CE, RoHS & REACH compliant
Typical Life	Over 10 ⁶ switching operations
Weight	150g with cover, 110g without cover
Mounting Position	Vertical installation with pressure connections pointing downwards

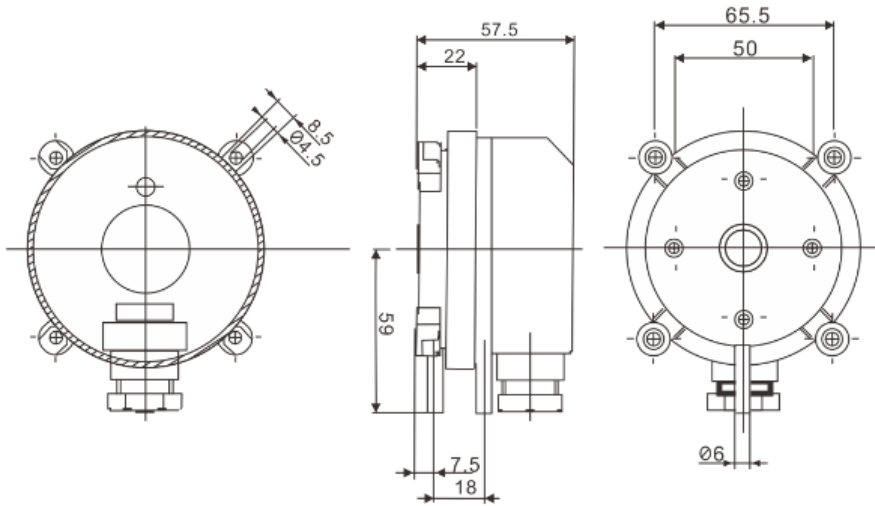
Order Codes

Set Point Range				Average Deadband
Pa		inH ₂ O		
20-200	WPS0200	0.08-1.20	WPS0200R8	+/- 15%
30-300	WPS0300	0.12-1.60	WPS0300R8	+/- 15%
50-500	WPS0500	0.20-2.00	WPS0500R8	+/- 15%
200-1,000	WPS1000	0.80-4.00	WPS1000R8	+/- 15%
500-2,500	WPS2500	2.00-10.00	WPS2500R8	+/- 15%
1,000-4,000	WPS4000	4.00-16.00	WPS4000R8	+/- 15%

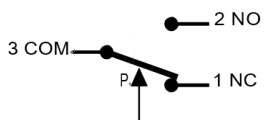
Optional Order Codes

Static Pressure tip with Flange	PVC Tubing, 20m (65')
WPS1010	WPS1020

Dimensions (mm)



Wiring Diagram



- 1 Break contact
- 2 Operating contact
- 3 Power supply line

