

30 to 2,500 psi (207 to 17,250 kPa)



Description & Features:

- Can be used on applications requiring a NACE compliant MR0175-2003 diaphragm seal
- ASME B40.100 compliant
- 1 year warranty

Applications:

- Sour gas applications requiring instrumentation that meet NACE International Standards

Specifications	
Housing	316 SS
Diaphragm	Monel®, welded
Construction	Two piece construction
Gasket Material	Buna N (Viton®, Teflon® optional)
Connection	Top: 1/4" and 1/2" NPTF Bottom: 1/4", 1/2", 3/4" and 1" NPTF
Process Temperature	-22°F to 212°F (-30°C to 100°C)
Other	Flushing connections available. Other materials available upon request.

Order Codes

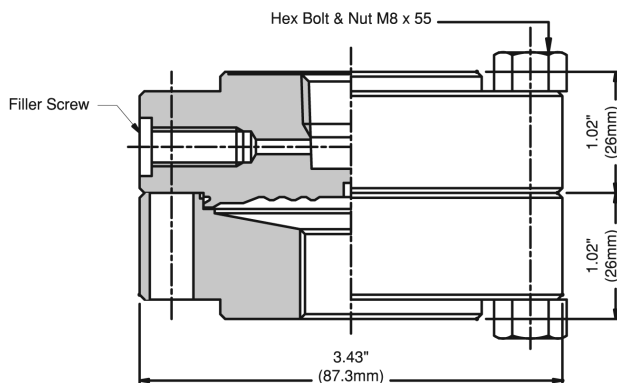
Upper Housing (Top)	
316 SS, 1/4" NPTF Monel® diaphragm	D7195003
316 SS, 1/2" NPTF Monel® diaphragm	D7195203
Lower Housing (Bottom)	
316 SS, 1/4" NPTF	D7195403
316 SS, 1/2" NPTF	D7195603
316 SS, 1/2" NPTF with flushing	D7195703
316 SS, 3/4" NPTF	D7196303
316 SS, 3/4" NPTF with flushing	D7195903
316 SS, 1" NPTF	D7196403
316 SS, 1" NPTF with flushing	D7196503

Option suffix for above order code only:

SF-D = Silicone fill (seal only)

FL-D = Fluorolube fill (seal only)

Other fill fluids (seal only) available upon request



Monel® is a registered trademark of Inco Alloys International
 Teflon® is a registered trademark of DuPont Corporation
 Viton® is a registered trademark of DuPont Performance Elastomers