

Description & Features:

- Combines isolating and venting in a single valve, eliminating the need for tubing and fittings
- Block valve isolates the downstream process fluids, and the bleed valve exhausts upstream fluids enabling instruments to be removed without disturbing the permanent piping installation on the bottom
- The 1/4" NPT vent plug is located 90° to the left and may be removed and replaced with exhaust piping to direct the fluids to a safe location
- Available in Hard Seat (10,000 psi)
- All stems are 316 stainless steel
- CRN registered
- 5 year warranty

Applications:

- Ideally suited for severe duty oil and gas installations including refineries and processing plants as well as water treatment plants, power plants and hydraulic applications where additional safety for shut-down and media venting is required

Double Block & Bleed Order Codes

NPT Connection	Material	Seat	Max. Pressure	Code
1/4" Female x 1/4" Female	Stainless Steel	Hard Seat	10,000 psi	BBV3420
1/4" Male x 1/4" Female				BBV3400
1/2" Female x 1/2" Female				BBV3421
1/2" Male x 1/2" Female				BBV3401
3/4" Female x 1/2" Female				BBV3422
3/4" Male x 1/2" Female				BBV3402

Double Block & Bleed NACE Order Codes

NPT Connection	Material	Seat	Max. Pressure	Code
1/4" Female x 1/4" Female	Stainless Steel NACE	Hard Seat	10,000 psi	BBV3420N
1/4" Male x 1/4" Female				BBV3400N
1/2" Female x 1/2" Female				BBV3421N
1/2" Male x 1/2" Female				BBV3401N
3/4" Female x 1/2" Female				BBV3422N
3/4" Male x 1/2" Female				BBV3402N

Replacement Plug Order Codes

Plug or Screw	Stainless Steel	Stainless Steel NACE
1/4" NPT Plug	NVAPLUG03	NVAPLUG03N

Material

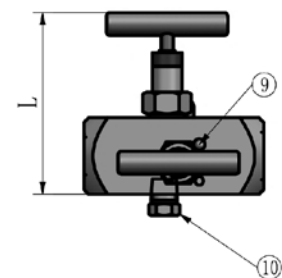
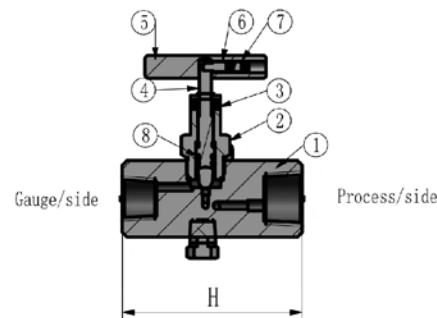
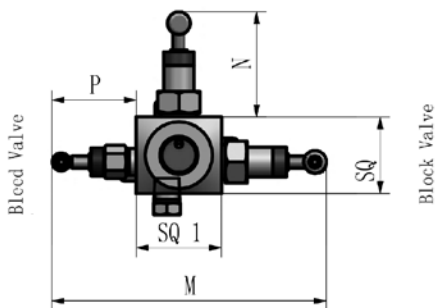
Description	Component Number	Stainless Steel	Stainless Steel NACE
Body	1	316 SS	316 SS NACE
Bonnet	2	316 SS	316 SS NACE
Dust Cap	3	Nylon	Nylon
Needle / Needle Tip	4	316 SS	316 SS NACE
Handle	5	304 SS	304 SS
Screw	6	304 SS	304 SS
Fastening Screw	7	304 SS	304 SS
O-Rings	8	FKM	FKM
Dwell Pin	9	304 SS	304 SS
Plug	10	316 SS	316 SS NACE

Dimensions

Size	H	L	SQ	SQ1	M	N	P
1/4" Female x 1/4" Female	3.70" (94mm)	3.72" (95mm)	1.57" (40mm)	1.75" (44.5mm)	5.50" (140mm)	2.15" (55mm)	1.62" (41mm)
1/4" Male x 1/4" Female	4.00" (102mm)	3.72" (95mm)	1.57" (40mm)	1.75" (44.5mm)	6.10" (155mm)	2.15" (55mm)	1.60" (41mm)
1/2" Female x 1/2" Female	3.70" (94mm)	3.72" (95mm)	1.57" (40mm)	1.75" (44.5mm)	5.50" (140mm)	2.15" (55mm)	1.62" (41mm)
1/2" Male x 1/2" Female	4.00" (102mm)	3.72" (95mm)	1.57" (40mm)	1.75" (44.5mm)	6.10" (155mm)	2.15" (55mm)	1.60" (41mm)
3/4" Female x 1/2" Female	3.70" (94mm)	3.72" (95mm)	1.57" (40mm)	1.75" (44.5mm)	5.50" (140mm)	2.15" (55mm)	1.62" (41mm)
3/4" Male x 1/2" Female	4.00" (102mm)	3.72" (95mm)	1.57" (40mm)	1.75" (44.5mm)	6.10" (155mm)	2.15" (55mm)	1.60" (41mm)

Female x Female

Block Valve



Male x Female

Block Valve

