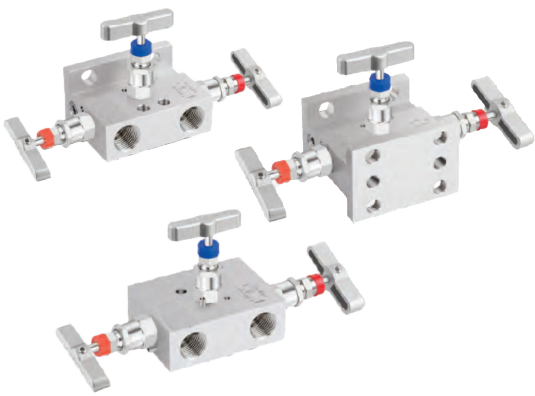


Description & Features:

- Rugged and designed for use with differential pressure transmitters and impulse lines
- 3-handle - 2 isolation valves, 1 equalizing valve
- Available in pipe-to-pipe, pipe-to-flange and flange-to-flange configurations
- Many variants of construction available to handle all media requirements
- Soft and Hard seat options; 6,000 psi and 10,000 psi pressure rated
- PTFE packing standard with Graphoil optional
- CRN available upon request
- 5 year warranty

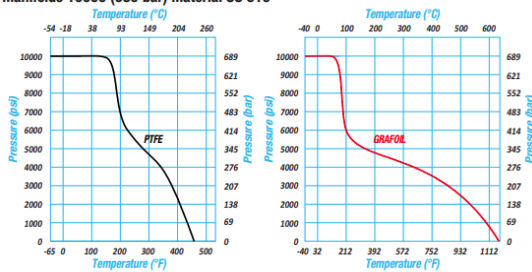
Applications:

- Designed to be perfectly installed with Winters LY36 Series (with M10x45 bolts) and other differential transmitters
- Manifolds are critical in process and industrial environments for the enabling of shut-downs for the testing, repair and upgrading of instruments

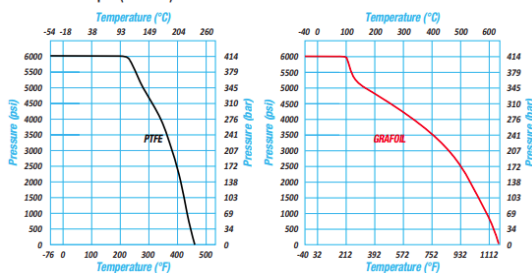


Pressure vs Temperature Graph

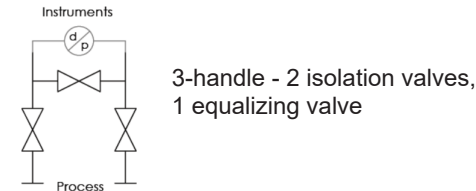
Manifolds 10000 (689 bar) Material SS 316



Manifolds 6000 psi (414 bar) Material SS 316



Flow Pattern



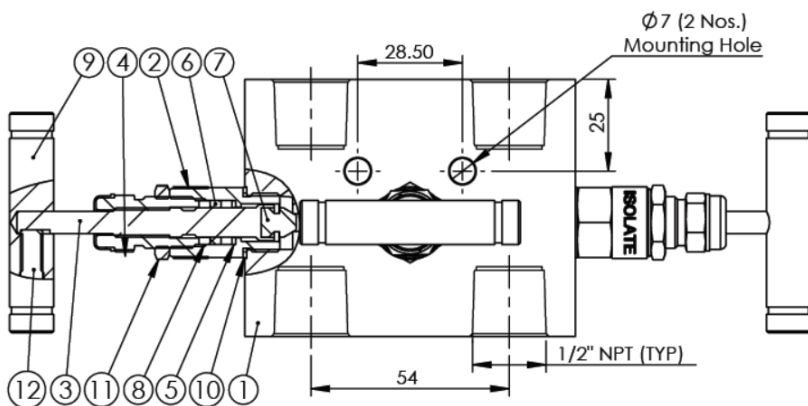
Order Codes

*Other material variants available upon request, including Stainless Steel NACE for Sour Gas and Monel

Connection	Material	Seat	Packing Material	Pressure Rating	Code
1/2" NPT Female x 1/2" NPT Female	Stainless Steel	Soft	PTFE	6,000 psi	MVA3SS2P
1/2" NPT Female x Flange	Stainless Steel	Soft	PTFE	6,000 psi	MVA3SS2T
Flange x Flange	Stainless Steel	Soft	PTFE	6,000 psi	MVA3SS2F
1/2" NPT Female x 1/2" NPT Female	Stainless Steel	Hard	PTFE	10,000 psi	MVA3SH2P
1/2" NPT Female x Flange	Stainless Steel	Hard	PTFE	10,000 psi	MVA3SH2T
Flange x Flange	Stainless Steel	Hard	PTFE	10,000 psi	MVA3SH2F

Option suffix: G = Graphoil Packing for High Temperature
N = NACE Compliant

Dimensions (mm)



3-Handle Pipe-to-Pipe

Material

Part NO.	Description	Material
1	Body	316SS
2	Gland Body	316SS
3	Stem	316SS
4	Retainer	316SS
5	Bottom Washer	316SS
6	Packing	PTFE
7	Vee Tip	316SS
8	Top Washer	316SS
9	Handle	316SS
10	Thrust Ring	316SS
11	Check Nut	316SS
12	Allen Bolt	B8M