

### Description & Features:

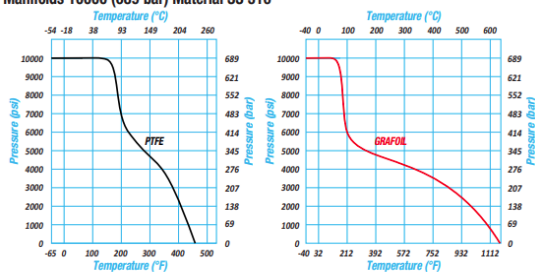
- Compact, wafer design for direct mounting
- Rugged and designed for use with differential pressure transmitters and impulse lines
- 3-handle - 2 isolation valves, 1 equalizing valve
- Straight and angled pattern to suit all installation requirements Many variants of construction available to handle all media requirements
- Soft and Hard seat options; 6,000 psi and 10,000 psi pressure rated
- PTFE packing standard with Graphoil optional
- CRN available upon request
- 5 year warranty

### Applications:

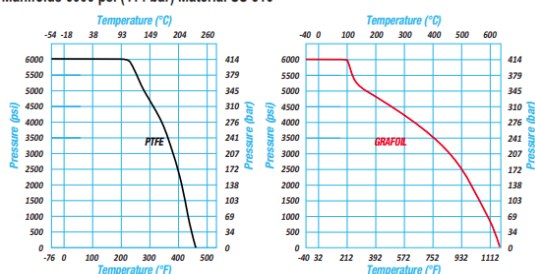
- Designed to be perfectly installed with Winters LY36 Series (with M10x45 bolts) and other differential transmitters
- Manifolds are critical in process and industrial environments for the enabling of shut-downs for the testing, repair and upgrading of instruments

### Pressure vs Temperature Graph

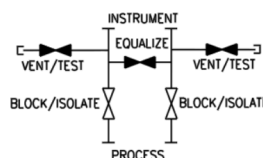
Manifolds 10000 (689 bar) Material SS 316



Manifolds 6000 psi (414 bar) Material SS 316



### Flow Pattern



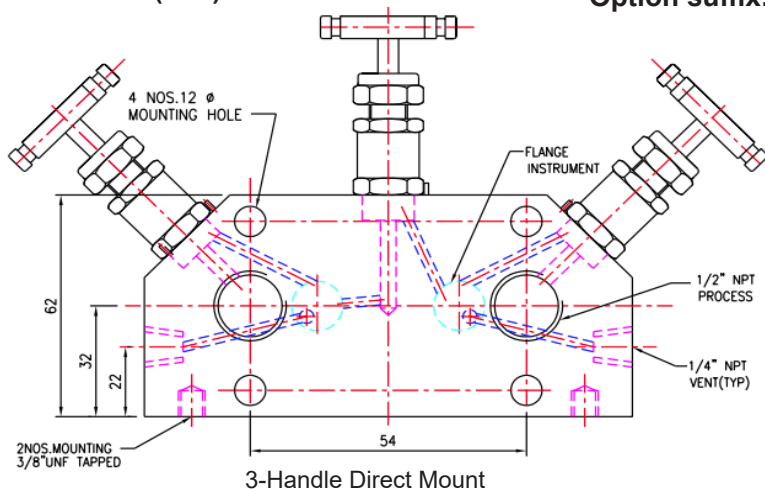
3-handle - 2 isolation valves, 1 equalizing valve

### Order Codes

\*Other material variants available upon request, including Stainless Steel NACE for Sour Gas and Monel

Connection	Handles	Material	Seat	Packing Material	Pressure Rating	Code
1/2" NPT Female x 1/2" NPT Female	Straight	Stainless Steel	Soft	PTFE	6,000 psi	MVA3SS2D
1/2" NPT Female x 1/2" NPT Female		Stainless Steel	Hard	PTFE	10,000 psi	MVA3SH2D
1/2" NPT Female x 1/2" NPT Female		Stainless Steel	Soft	Graphoil	6,000 psi	MVA3SS2DG
1/2" NPT Female x 1/2" NPT Female		Stainless Steel	Hard	Graphoil	10,000 psi	MVA3SH2DG
1/2" NPT Female x 1/2" NPT Female	Angled	Stainless Steel	Soft	PTFE	6,000 psi	MVA3ASS2D
1/2" NPT Female x 1/2" NPT Female		Stainless Steel	Hard	PTFE	10,000 psi	MVA3ASH2D
1/2" NPT Female x 1/2" NPT Female		Stainless Steel	Soft	Graphoil	6,000 psi	MVA3ASS2DG
1/2" NPT Female x 1/2" NPT Female		Stainless Steel	Hard	Graphoil	10,000 psi	MVA3ASH2DG

### Dimensions (mm)



Option suffix: N = NACE Compliant

### Material

S.NO.	Description	Material
14	Non-rotating Vee tip	630SS
13	Washer	316SS
12	Dust Cap	Plastic Lid
11	Lock Pin	316SS
10	Handle	316SS
9	Grub Screw	Steel
8	Lock Nut	316SS
7	Spindle	316SS
6	Packing Washer	316SS
5	Packing	PTFE
4	Washer	316SS
3	Gland Retainer	316SS
2	Bonnet	316SS
1	Body	316SS