

Description & Features:

- Rugged 3 or 5-handle manifolds are designed for use with differential pressure transmitters and impulse lines
- 1-piece 316 stainless steel body
- 3-handle - 2 isolation valves, 1 equalizing valve
- 5-handle - 2 isolation valves, 1 equalizing valve and 2 vent valves
- PTFE packing to prevent against corrosion and seized up
- CRN Pending
- 5 year warranty

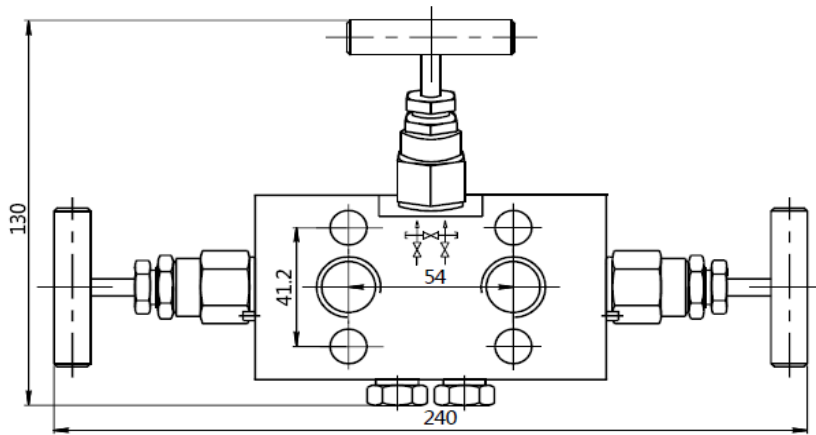
Applications:

- Designed to be perfectly installed with Winters LY36 Series differential transmitter. Manifolds are critical in process and industrial environments for the enabling of shut-downs for the testing, repair and upgrading of instruments.

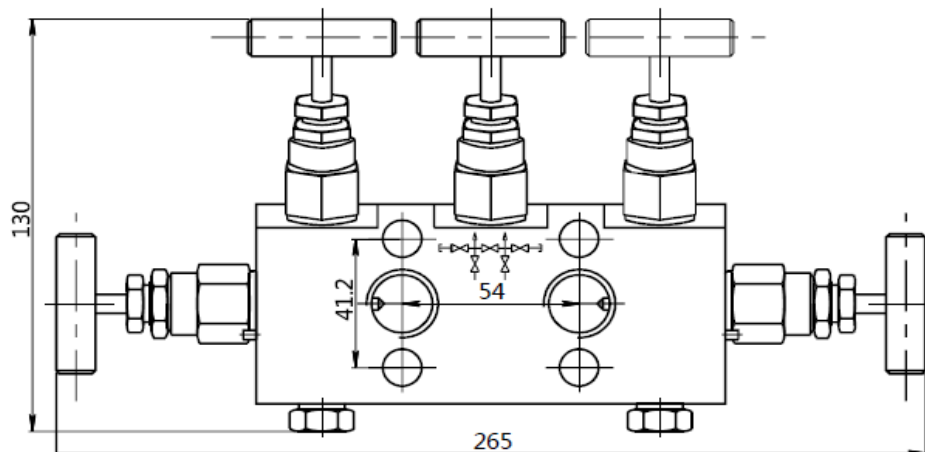
Order Codes

	NPT Connection	Material	Seat	Max. Pressure	Code
3 - Handle	1/2" Female x 1/2" Female	Stainless Steel	Hard Set	6,000 psi	MVA32021
5 - Handle	1/2" Female x 1/2" Female	Stainless Steel	Hard Set	6,000 psi	MVA52021

Dimensions (mm)



3 - Handle Manifold



5 - Handle Manifold