

Description & Features:

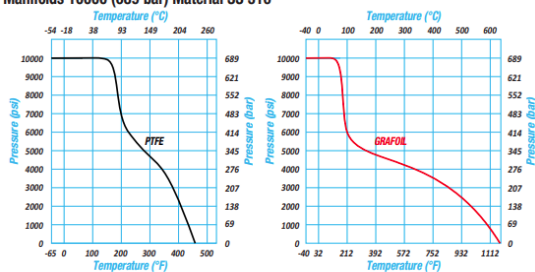
- Rugged and designed for use with differential pressure transmitters and impulse lines
- 2-handle - 1 isolation valve, 1 vent valve
- An isolation valve is located on the top, and the block and bleed are located on the side (90-degree orientation)
- Available in pipe-to-pipe, pipe-to-flange and flange-to-flange configurations
- Many variants of construction available to handle all media requirements
- Soft and Hard seat options; 6,000 psi and 10,000 psi pressure rated
- PTFE packing standard with Graphoil optional
- CRN available upon request
- 5 year warranty

Applications:

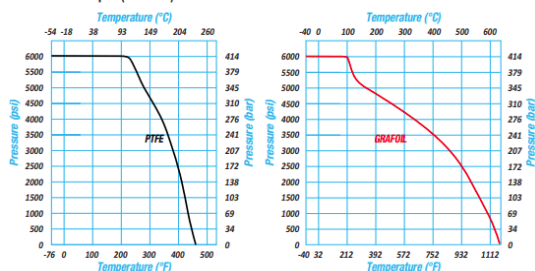
- Manifolds are critical in process and industrial environments for the enabling of shut-downs for the testing, repair and upgrading of instruments

Pressure vs Temperature Graph

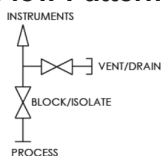
Manifolds 10000 (689 bar) Material SS 316



Manifolds 6000 psi (414 bar) Material SS 316



Flow Pattern



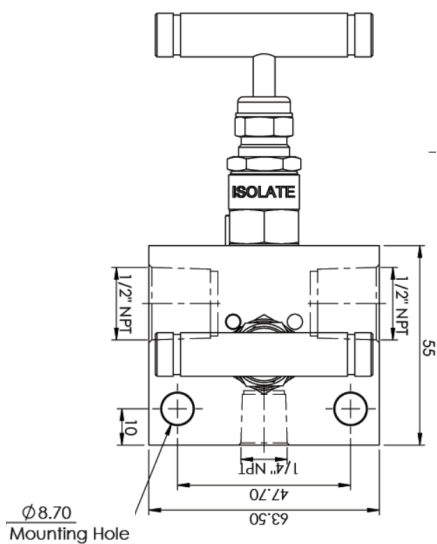
2-handle - 1 isolation valve, 1 vent valve

Order Codes

*Other material variants available upon request, including Stainless Steel NACE for Sour Gas and Monel

Connection	Material	Seat	Packing Material	Pressure Rating	Code
1/2" NPT Female x 1/2" NPT Female	Stainless Steel	Soft	PTFE	6,000 psi	MVA2SS2P
1/2" NPT Female x Flange	Stainless Steel	Soft	PTFE	6,000 psi	MVA2SS2T
Flange x Flange	Stainless Steel	Soft	PTFE	6,000 psi	MVA2SS2F
1/2" NPT Female x 1/2" NPT Female	Stainless Steel	Hard	PTFE	10,000 psi	MVA2SH2P
1/2" NPT Female x Flange	Stainless Steel	Hard	PTFE	10,000 psi	MVA2SH2T
Flange x Flange	Stainless Steel	Hard	PTFE	10,000 psi	MVA2SH2F

Dimensions (mm)



* 2-Handle Pipe-to-Pipe

Option suffix: G = Graphoil Packing for High Temperature
N = NACE Compliant

Material

Part NO.	Description	Material
1	Body	316SS
2	Gland Body	316SS
3	Stem	316SS
4	Retainer	316SS
5	Bottom Washer	316SS
6	Packing	PTFE
7	Vee Tip	316SS
8	Top Washer	316SS
9	Handle	316SS
10	Thrust Ring	316SS
11	Check Nut	316SS
12	Allen Bolt	B8M