




Description & Features:

- Available in 4.5" (115mm) or 6" (150mm) scales
- Brass socket 1/2" NPT is standard (stainless steel optional)
- Available in either a straight model (bottom connection) or 90° angle model (back connection)
- ASME B40.200 and ASTM E2251 compliant
- 5 year warranty

Applications:

- Heating, plumbing, air conditioning and ventilation applications

Specifications

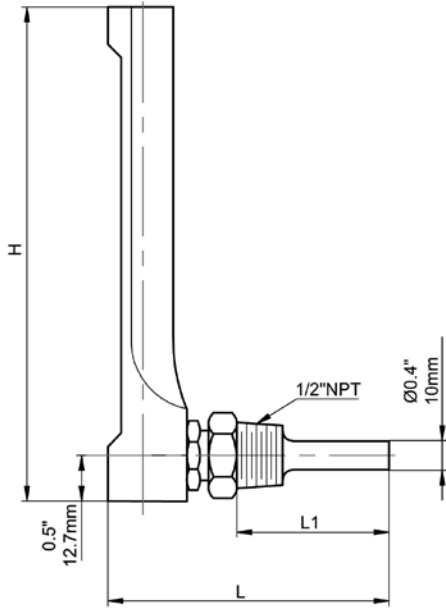
Scale	Aluminum, black markings
Case	4.5" (115 mm), 6" (150 mm) aluminum, anodized gold
Tube	Glass, cushioned
Liquid Filling	Organic liquid (red)
Stem	Brass (SS optional)
Connection	1/2" NPT (1/2" BSP optional)
Swivel Nut	Brass (SS optional; swivel and stem one unit)
Ambient/Process Temperature	-40°F to 400°F (-40°C to 204°C)
Operating Temperature	Maximum 80% of full scale value recommended
Accuracy	±2% of full scale
Enclosure Rating	IP65
Warning	 WARNING: This product can expose you to chemicals including lead, which is known to the State of California to cause cancer and birth defects or other reproductive harm. For more information go to www.P65Warnings.ca.gov .

Order Codes

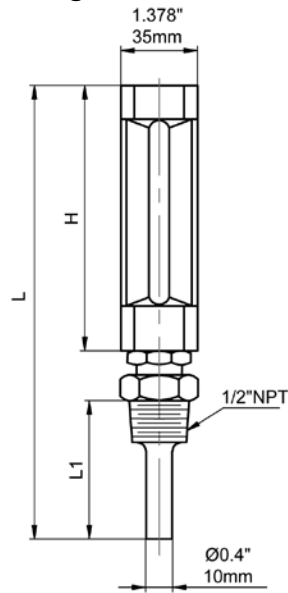
Range	Straight		Angle	
	4.5" (110mm)	6" (150mm)	4.5" (110mm)	6" (150mm)
-40°F to 110°F & -40°C to 40°C	TAG130AG4	TAG130AG6	TAG140AG4	TAG140AG6
20°F to 180°F & -5°C to 80°C	TAG131AG4	TAG131AG6	TAG141AG4	TAG141AG6
30°F to 240°F & 0°C to 115°C	TAG132AG4	TAG132AG6	TAG150AG4	TAG150AG6
30°F to 300°F & 0°C to 150°C	TAG134AG4	TAG134AG6	TAG143AG4	TAG143AG6
50°F to 400°F & 10°C to 210°C	TAG133AG4	TAG133AG6	TAG142AG4	TAG142AG6

Other ranges and connection sizes available upon request. 304 SS thermowell available upon request.

Angle



Straight



Dimensions

Case Height (H)	Stem Length (L1)	L (Angle)	L (Straight)
4.5" (114mm)	2" (50.8mm)	3.69" (93.7mm)	7.17" (182.1mm)
6" (152.4mm)			8.67" (220.2mm)