



Note: RoHS applies only to 304 SS and 316 SS syphons

Description & Features:

- On steam service, the syphon will prevent hot steam from entering a pressure gauge, diaphragm seal or transmitter
- Available in brass/steel for non-corrosive applications and stainless steel for corrosive applications
- CRN registered
- 1 year warranty

Applications:

- Recommended for applications involving temperatures above 100°F (37°C)
- Ideal for steam installations

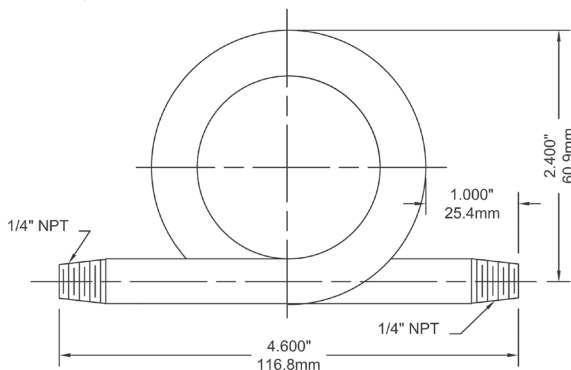
Specifications	
Material	Schedule 40 brass, schedule 40, 80 carbon steel, 304 SS or 316 SS (all types seamless)
Style	180° coil
Connection	1/4" NPTM x 1/4" NPTM or 1/2" NPTM x 1/2" NPTM
Maximum Operating Pressure	Schedule 40: Brass, carbon steel, 304 SS, 316 SS suitable up to 500 psi at 680°F (360°C) Schedule 80: Carbon steel, 304 SS, 316 SS suitable up to 1,650 psi at 630°F (332°C)
Warning (brass syphons only)	⚠ WARNING: This product can expose you to chemicals including lead, which is known to the State of California to cause cancer and birth defects or other reproductive harm. For more information go to www.P65Warnings.ca.gov .

Order Codes (products in bold are normally stock in North America)

Material	1/4" NPT	1/2" NPT
Schedule 40 Brass	SSP545	SSP559
Schedule 40 Carbon Steel	SSP525	SSP555
Schedule 40 304 SS	SSP535	SSP585
Schedule 40 316 SS	SSP554	SSP557
Schedule 80 Carbon Steel	SSP556	SSP2715
Schedule 80 304 SS	SSP595	SSP2716
Schedule 80 316 SS	-	SSP2719

Note: Schedule 80 316 SS and extra-extra strong schedule available

1/4" Syphon



1/2" Syphon

