

PTB Turbine Gauge




Description & Features:

- Manufactured to GE® specifications
- Features a machined cast brass case with a machined cast aluminum bezel that is oil tight
- Consists of stainless steel and brass internals and stainless steel connection specific for turbine applications
- ASME B40.100 compliant
- CRN registered
- 5 year warranty

Applications:

- Removable bezel and lens with an adjustable micrometer pointer for in-place calibration

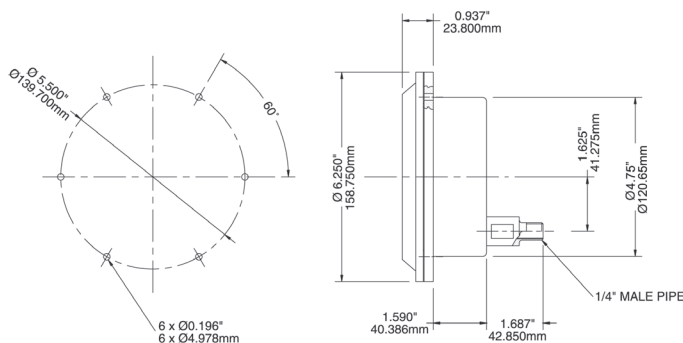
Specifications

Dial	4.5" (115mm)
Case	Machined cast brass, painted black
Lens	Glass
Bezel	Machined cast aluminum bezel, painted black
Socket	316 SS
Connection	1/4" NPT standard
Bourdon Tube	316 SS
Movement	Brass
Over-pressure Limit	30% of full scale value
Ambient/Process Temperature	-40°F to 150°F (-40°C to 65°C)
Working Pressure	Maximum 75% of full scale value
Accuracy	±0.5% ANSI/ASME Grade 2A
Warning	 WARNING: This product can expose you to chemicals including lead, which is known to the State of California to cause cancer and birth defects or other reproductive harm. For more information go to www.P65Warnings.ca.gov .

Order Codes

Pressure Range	Code
0/60 psi	PTB4101GE
0/400 psi	PTB4106GE

Other ranges and connection sizes available upon request. For scale change, refer to How to Order Guide for scale codes. Dial may require a service mark (i.e. "Pump Suction").



Gauges manufactured to GE® Drawing U175X.
GE® is a registered trademark of General Electric.