



### Description & Features:

- Solid front blowout back for the ultimate in gauge safety
- Full rotary movement and micrometer pointer for ease in calibration
- Overload stop
- Stainless steel case, socket and internals
- Safety glass lens
- Restricted orifice standard
- ASME B40.100 compliant (EN837-1 available)
- CRN registered
- 5 year warranty

### Applications:

- Used where operator safety is a must
- Outdoor and severe ambient and process conditions
- Use where harmful vibration and pulsation are present (with liquid filling)
- Oil and gas, petrochemical, mining and power installations

### Specifications

<b>Dial</b>	4" (100mm), 4.5" (115mm), 6" (150mm), white aluminum with black and red markings
<b>Case</b>	304 SS case with blowout back
<b>Lens</b>	4" (100mm), 6" (150mm): Laminated safety glass 4.5" (115mm): Tempered safety glass
<b>Ring</b>	SS bayonet
<b>Socket</b>	316L SS
<b>Connection</b>	1/4" or 1/2" NPT bottom
<b>Bourdon Tube</b>	316L SS
<b>Movement</b>	304 SS overload stop
<b>Pointer</b>	Aluminum, anodized black, micrometer adjustable
<b>Over-pressure Limit</b>	25% for pressures up to 1,450 psi (9,998 kPa), 15% for pressures over 1,450 psi (9,998 kPa)
<b>Working Pressure</b>	Maximum 75% of full scale value
<b>Ambient Temperature</b>	Dry: -40°F to 250°F (-40°C to 120°C) Glycerin Filled: -4°F to 150°F (-20°C to 65°C)
<b>Process Temperature</b>	-40°F to 250°F (-40°C to 120°C)
<b>Accuracy</b>	4" (100mm), 6" (150mm): ±1% ANSI/ASME Grade 1A 4.5" (115mm): ±0.5% ANSI/ASME Grade 2A
<b>Enclosure Rating</b>	4" (100mm), 6" (150mm): IP67 per EN60529-1 (IEC529-1) 4.5" (115mm): IP65 per EN60529-1 (IEC529-1)

### Order Codes

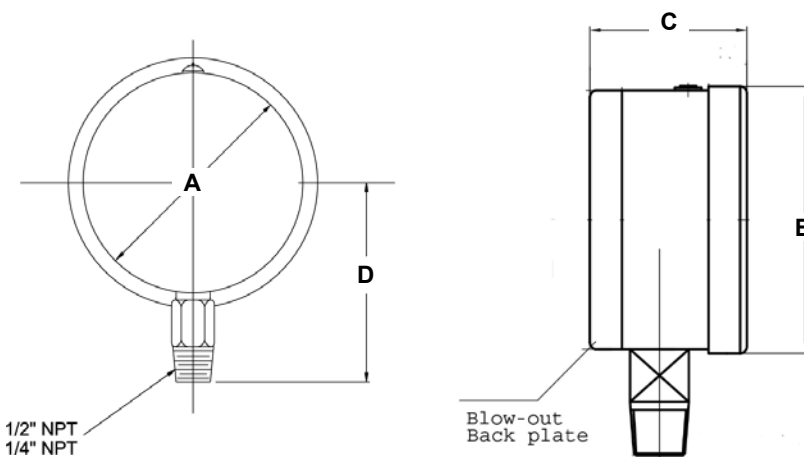
Dial Size	4" (100mm)		4.5" (115mm)		6" (150mm)	
	1/4" Bottom	1/2" Bottom	1/4" Bottom	1/2" Bottom	1/4" Bottom	1/2" Bottom
30" Hg Vac/kPa	PSC248	PSC4870	PSC281	PSC4888	PSC283	PSC4906
30"/0/15 psi/kPa	PSC249	PSC4871	PSC282	PSC4889	PSC284	PSC4907
30"/0/30 psi/kPa	PSC257	PSC4872	PSC358	PSC4890	PSC285	PSC4908
30"/0/60 psi/kPa	PSC258	PSC4873	PSC359	PSC4891	PSC286	PSC4909
30"/0/100 psi/kPa	PSC259	PSC4874	PSC362	PSC4892	PSC287	PSC4910
30"/0/150 psi/kPa	PSC260	PSC4875	PSC363	PSC4893	PSC289	PSC4911
30"/0/200 psi/kPa	PSC261	PSC4876	PSC364	PSC4894	PSC296	PSC4912
30"/0/300 psi/kPa	PSC262	PSC4877	PSC365	PSC4895	PSC297	PSC4913
0/15 psi/kPa	PSC263	PSC4878	PSC366	PSC4896	PSC298	PSC4914
0/30 psi/kPa	PSC264	PSC4879	PSC367	PSC4897	PSC299	PSC4915
0/60 psi/kPa	PSC265	PSC4880	PSC368	PSC4898	PSC307	PSC4916
0/100 psi/kPa	PSC266	PSC4881	PSC369	PSC4899	PSC308	PSC4917
0/160 psi/kPa	PSC267	PSC4882	PSC370	PSC4900	PSC309	PSC4918
0/200 psi/kPa	PSC268	PSC4883	PSC371	PSC4901	PSC317	PSC4919
0/300 psi/kPa	PSC269	PSC4884	PSC372	PSC4902	PSC318	PSC4920
0/400 psi/kPa	PSC272	PSC4885	PSC373	PSC4903	PSC335	PSC4921
0/600 psi/kPa	PSC273	PSC4886	PSC374	PSC4904	PSC336	PSC4922
0/1,000 psi/kPa	-	PSC274	-	PSC375	-	PSC337
0/1,500 psi/kPa	-	PSC275	-	PSC376	-	PSC338
0/2,000 psi/kPa	-	PSC276	-	PSC377	-	PSC339
0/3,000 psi/kPa	-	PSC277	-	PSC378	-	PSC347
0/5,000 psi/kPa	-	PSC278	-	PSC379	-	PSC348
0/10,000 psi/kPa	-	PSC498	-	PSC380	-	PSC502
0/15,000 psi/kPa	-	PSC499	-	PSC381	-	PSC504
0/20,000 psi/kPa	-	PSC4887	-	PSC4905	-	PSC4923

Other ranges and connection sizes available upon request. For scale change, refer to How to Order Guide for scale codes.

**For options, attach suffix to end of order code: i.e. PSC374-R1 for SINGLE SCALE PSI**

**Option suffix:**

- 4CSS = 4" (100mm) 316 SS case
- 45CSS = 4.5" (115mm) 316 SS case
- 6CSS = 6" (150mm) 316 SS case
- EN = EN837-1 compliant
- G = Glycerin filled
- R1 = Single scale psi



Dial	A	B	C	D
4" (100mm)	4.1" (105mm)	4.67" (119mm)	2.44" (57mm)	3.80" (96.5mm)
4.5" (115mm)	4.38" (111.3mm)	5.04" (128mm)	2.38" (60.5mm)	4.173" (106mm)
6" (150mm)	5.69" (144.6mm)	6.34" (161mm)	2.74" (69.5mm)	4.843" (123mm)