



Description & Features:

- Designed for sour gas applications requiring NACE Standards MR0175-2002 (NACE Standards MR0103-2003 available)
- Glycerin and H₂O filled case
- Blow out back plug
- Under and overload stops
- Wetted parts meet all hardness requirements
- ASME B40.100 compliant (EN837-1 available)
- CRN registered
- 5 year warranty

Applications:

- Sour gas applications requiring gauges that meet NACE International Standards

Specifications

| | |
|------------------------------------|--|
| Dial | 4" (100mm) and 6" (150mm) aluminum with black and red markings |
| Case | 304 SS |
| Lens | Laminated safety glass |
| Ring | 304 SS, bayonet |
| Socket | 316L SS |
| Connection | 1/4" or 1/2" NPT, bottom or back |
| Bourdon Tube | 316L SS |
| Movement | 304 SS with under and overload stops |
| Pointer | Aluminum, anodized black, micrometer adjustable |
| Fill Liquid | Glycerin/H ₂ O |
| Over-pressure Limit | 25% for pressures up to 1,450 psi (9,998 kPa), 15% for pressures over 1,450 psi (9,998 kPa) |
| Ambient/Process Temperature | Dry: -40°F to 250°F (-40°C to 120°C) Glycerin Filled: -4°F to 150°F (-20°C to 65°C) |
| Accuracy | ±1% ANSI/ASME Grade 1A |
| Enclosure Rating | IP66 |

Order Codes (products in bold are normally stock in North America)

| Dial Size | 4" (100mm) | | | | 6" (150mm) | |
|-------------------|-------------|----------------|----------------|----------------|-------------|----------------|
| | 1/4" Bottom | 1/4" Back (LB) | 1/2" Bottom | 1/2" Back (LB) | 1/2" Bottom | 1/2" Back (LB) |
| 30" Hg Vac/kPa | PN2640N | PN21090N | PN2655N | - | PN21100N | - |
| 30"/0/15 psi/kPa | PN21036N | - | PN21044N | - | PN21101N | - |
| 30"/0/30 psi/kPa | PN21037N | - | PN21045N | - | PN21102N | - |
| 30"/0/60 psi/kPa | PN21038N | - | PN21046N | - | PN21103N | - |
| 30"/0/100 psi/kPa | PN21039N | - | PN21047N | - | PN21104N | - |
| 30"/0/150 psi/kPa | PN21040N | - | PN21048N | - | PN21105N | - |
| 30"/0/200 psi/kPa | PN21042N | - | PN21050N | - | PN21106N | - |
| 30"/0/300 psi/kPa | PN21043N | - | PN21051N | - | PN21107N | - |
| 0/15 psi/kPa | PN2641N | PN21091N | PN2656N | - | PN21108N | - |
| 0/30 psi/kPa | PN2642N | PN21092N | PN2657N | - | PN21109N | - |
| 0/60 psi/kPa | PN2643N | PN21093N | PN2658N | - | PN21110N | - |
| 0/100 psi/kPa | PN2644N | PN21094N | PN2659N | - | PN21111N | - |
| 0/160 psi/kPa | PN2645N | PN21095N | PN2660N | - | PN21112N | - |
| 0/200 psi/kPa | PN2646N | PN21096N | PN2661N | - | PN21113N | - |
| 0/300 psi/kPa | PN2647N | PN21097N | PN2662N | - | PN21114N | - |
| 0/400 psi/kPa | PN2650N | PN2150N | PN2666N | - | PN21115N | - |
| 0/600 psi/kPa | PN2648N | PN21098N | PN2663N | - | PN21116N | - |
| 0/1,000 psi/kPa | PN2649N | PN21099N | PN2664N | - | PN21117N | PN21217N |
| 0/1,500 psi/kPa | - | - | PN2665N | PN21190N | PN21118N | PN21218N |
| 0/2,000 psi/kPa | - | - | PN2667N | PN21191N | PN21119N | PN21219N |
| 0/3,000 psi/kPa | - | - | PN2668N | PN21192N | PN21120N | PN21220N |
| 0/4,000 psi/kPa | - | - | PN2701N | PN2702N | PN21121N | PN21221N |
| 0/5,000 psi/kPa | - | - | PN2669N | PN21193N | PN21122N | PN21222N |
| 0/6,000 psi/kPa | - | - | PN2675N | PN2175N | PN21123N | PN21223N |
| 0/10,000 psi/kPa | - | - | PN2670N | PN21194N | PN21124N | PN21224N |
| 0/15,000 psi/kPa | - | - | PN2671N | PN21195N | PN21125N | PN21225N |
| 0/20,000 psi/kPa | - | - | PN2672N | PN21196N | PN21126N | PN21226N |

Other ranges and connection sizes available upon request. For scale change, refer to How to Order Guide for scale codes.

For options, attach suffix to end of order code: i.e. **PN22657N-DRY** for DRY CASE

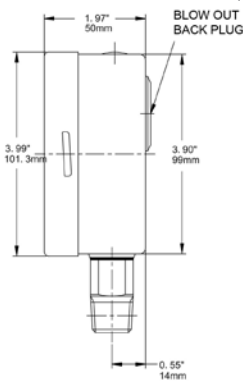
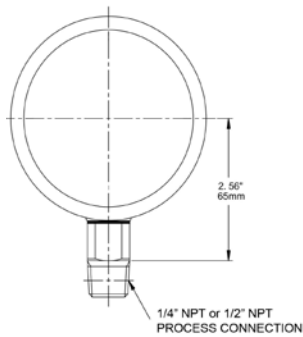
Option suffix:

4BF = 4" (100mm) Back flange
 4FF = 4" (100mm) Front flange
 4NSS = 4" (100mm) SS case
 4UC-P = 4" (100mm) U-Clamp premium

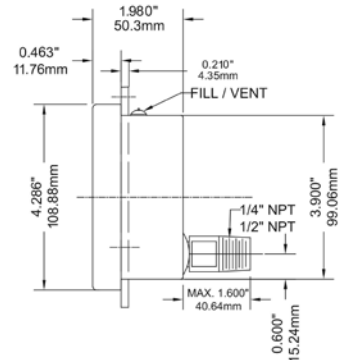
6BF = 6" (150mm) Back flange
 6FF = 6" (150mm) Front flange
 6NSS = 6" (150mm) SS case
 6UC-P = 6" (150mm) U-Clamp premium

DRY = Supply gauge dry
 EN = EN837-1 compliant
 REST = Restrictor screw

4" Bottom Connection



4" Back Connection



6" Bottom Connection

