




Description & Features:

- 2.5" (63mm) to 6" (150mm) durable gauges
- 2.5" (63mm) dial has a blue or red coloured case for easy identification
- Dual scale (psi/°F)
- Flutterless movement on the 2.5" (63mm)
- Chlorofluorocarbon (CFC) temperature scales (R-12, R-22 & R-502)
- Brass internals
- 1/4" NPT standard
- ASME B40.100 compliant
- CRN registered
- 5 year warranty

Applications:

- Refrigeration equipment and refrigeration recovery equipment
- Suitable for non-clogging and non-corrosive media

Specifications

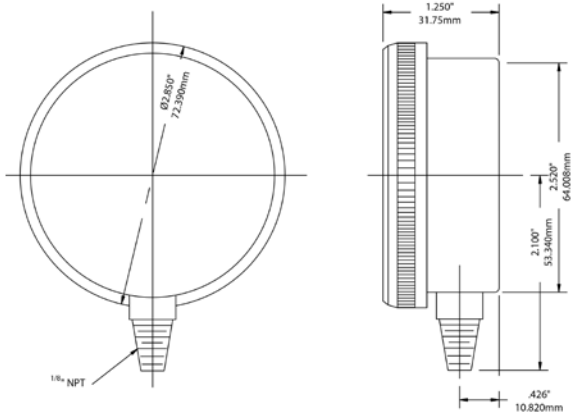
Dial	2.5" (63mm), 4" (100mm), 6" (150mm): White aluminum
Case	2.5" (63mm): Plastic, colour coded, blue for low pressure and red for high pressure 4" (100mm), 6" (150mm): Steel, painted black
Lens	2.5" (63mm): Plexiglass, threaded 4" (100mm), 6" (150mm): Glass
Ring	2.5" (63mm): SS, crimped 4" (100mm): Brass, polished 6" (150mm): Steel, painted black
Connection	1/8" NPT or 1/4" NPT standard
Restrictor Screw	Standard
Recalibrator Screw	Standard
Bourdon Tube	2.5" (63mm): Phosphor bronze, vibration free (flutterless movement) 4" (100mm), 6" (150mm): Phosphor bronze
Pointer	Aluminum, anodized black
Welding	#50 tin solder
Over-pressure Limit	25% of full scale value
Scale	psi/°F (R-12/R-22/R-502)
Working Pressure	Maximum 75% of full scale value
Ambient/Process Temperature	-40°F to 158°F (-40°C to 70°C)
Accuracy	2.5" (63mm): ±2% of full scale value 4" (100mm), 6" (150mm): ±1% ANSI/ASME Grade 1A
Enclosure Rating	IP52
Warning (brass internals only)	 WARNING: This product can expose you to chemicals including lead, which is known to the State of California to cause cancer and birth defects or other reproductive harm. For more information go to www.P65Warnings.ca.gov .

Order Codes

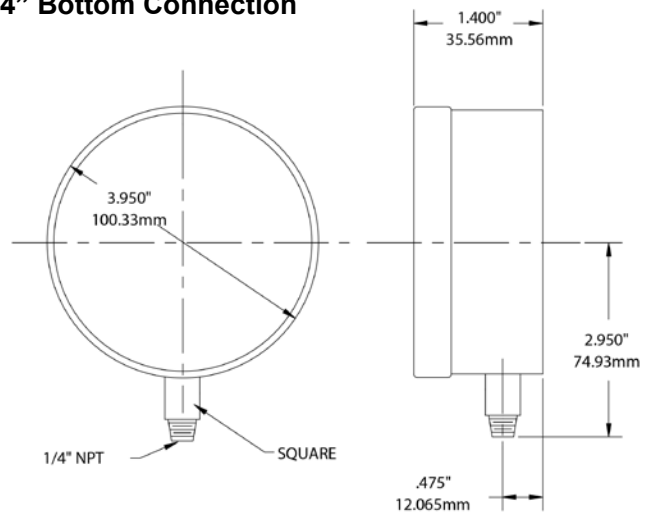
Dial Size	2.5" (63mm)		4" (100mm)		6" (150mm)	
Case Material	Plastic		Steel			
Connection	1/8" Bottom	1/8" Back	1/4" Bottom	1/4" Back	1/4" Bottom	1/4" Back
30°/0/120 psi (retard 250)	PFG1730	-	PFG1734	-	PFG1738	-
30°/0/300 psi	PFG1731	-	PFG1735	-	PFG1739	-
0/500 psi	PFG1732	-	PFG1736	-	PFG1740	-

Other ranges and connection sizes available upon request. For scale change, refer to How to Order Guide for scale codes. Blister packaging available.

2.5" Bottom Connection



4" Bottom Connection



6" Bottom Connection

