



**StabilizR™**  
power


### Description & Features:

- StabilizR™ dampened movement minimizes effects of pulsation and vibration
- Most economical, all-purpose pressure gauge
- 1.5" (40mm) to 4" (100mm) sizes
- Friction bezel rings
- Black steel case
- Brass wetted parts
- ±3-2-3% accuracy
- ASME B40.100 compliant (EN837-1 available)
- CRN registered
- 5 year warranty

### Applications:

- General purpose gauge for plumbing, heating, air conditioning, pneumatic, hydraulic, water tanks and air compressors
- Suitable for non-clogging and non-corroding media

### Specifications

<b>Dial</b>	1.5" (40mm), 2" (50mm), 2.5" (63mm), 4" (100mm) white aluminum with black and red markings
<b>Case</b>	Steel, painted black (plastic available)
<b>Lens</b>	1.5" (40mm), 2" (50mm), 2.5" (63mm): Acrylic 4" (100mm): Glass
<b>Ring</b>	1.5" (40mm), 2" (50mm): Steel, painted black 2.5" (63mm), 4" (100mm): Steel, chrome plated
<b>Socket</b>	Brass
<b>Connection</b>	1/8" NPT or 1/4" NPT standard
<b>Bourdon Tube</b>	Phosphor bronze
<b>Movement</b>	Brass, StabilizR™ dampened movement (silicone in sealed chamber)
<b>Pointer</b>	Aluminum, black
<b>Welding</b>	Silver alloy
<b>Over-pressure Limit</b>	25% of full scale value
<b>Working Pressure</b>	Maximum 75% of full scale value
<b>Ambient/Process Temperature</b>	-40°F to 200°F (-40°C to 93°C)
<b>Accuracy</b>	±3-2-3% ANSI/ASME Grade B
<b>Enclosure Rating</b>	IP52
<b>Warning</b>	 <b>WARNING:</b> This product can expose you to chemicals including lead, which is known to the State of California to cause cancer and birth defects or other reproductive harm. For more information go to <a href="http://www.P65Warnings.ca.gov">www.P65Warnings.ca.gov</a> .

## Order Codes (products in bold are normally stock in North America)

Dial Size	1.5" (40mm)		2" (50mm)				2.5" (63mm)		4" (100mm)
Connection	1/8" Bottom	1/8" Back (CB)	1/8" Bottom	1/8" Back (CB)	1/4" Bottom	1/4" Back (CB)	1/4" Bottom	1/4" Back (CB)	1/4" Bottom
Case Material	Steel						Steel		
30" Hg Vac/kPa	PEM1297ZR	PEM1397ZR	PEM195ZR	PEM1424ZR	PEM135ZR	PEM1428ZR	PEM210ZR	PEM1431ZR	PEM220ZR
30"/0/15 psi/kPa	-	-	-	-	-	-	PEM152ZR	-	-
30"/0/30 psi/kPa	-	-	-	-	-	-	PEM153ZR	-	-
30"/0/60 psi/kPa	-	-	-	-	-	-	PEM154ZR	-	-
30"/0/100 psi/kPa	-	-	-	-	-	-	PEM155ZR	-	-
0/15 psi/kPa	PEM1299ZR	PEM1399ZR	PEM196ZR	PEM1425ZR	PEM136ZR	PEM1429ZR	PEM211ZR	PEM1436ZR	PEM295ZR
0/30 psi/kPa	PEM1300ZR	PEM1400ZR	PEM206ZR	PEM1402ZR	PEM199ZR	PEM1403ZR	PEM212ZR	PEM1437ZR	PEM221ZR
0/60 psi/kPa	PEM1301ZR	PEM1401ZR	PEM207ZR	PEM1404ZR	PEM201ZR	PEM1405ZR	PEM213ZR	PEM1438ZR	PEM222ZR
0/100 psi/kPa	PEM1320ZR	PEM1420ZR	PEM208ZR	PEM1406ZR	PEM202ZR	PEM1407ZR	PEM214ZR	PEM1439ZR	PEM223ZR
0/160 psi/kPa	PEM1321ZR	PEM1421ZR	PEM197ZR	PEM1408ZR	PEM203ZR	PEM1409ZR	PEM215ZR	PEM1440ZR	PEM224ZR
0/200 psi/kPa	PEM1322ZR	PEM1422ZR	PEM209ZR	PEM1426ZR	PEM204ZR	PEM1410ZR	PEM216ZR	PEM1441ZR	PEM225ZR
0/300 psi/kPa	PEM1323ZR	PEM1423ZR	PEM198ZR	PEM1427ZR	PEM205ZR	PEM1411ZR	PEM217ZR	PEM1442ZR	PEM226ZR
0/400 psi/kPa	-	-	-	-	-	PEM1414ZR	PEM219ZR	PEM3412ZR	PEM227ZR
0/600 psi/kPa	-	-	-	-	-	PEM1412ZR	PEM218ZR	PEM3413ZR	-
0/1,000 psi/kPa	-	-	-	-	-	-	PEM290ZR	-	-
0/3,000 psi/kPa	-	-	-	-	-	-	PEM291ZR	-	-
0/5,000 psi/kPa	-	-	-	-	-	-	PEM292ZR	-	-

Other ranges and connection sizes available upon request. For scale change, refer to How to Order Guide for scale codes.

**For options, attach suffix to end of order code: i.e. PEM1399ZR-GL15 for 1.5" GLASS LENS.**

### Option suffix:

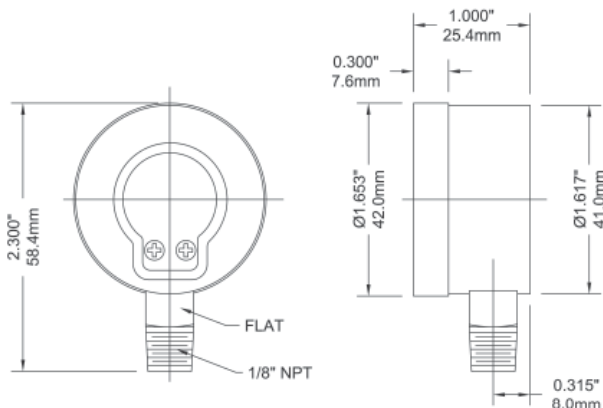
EN = EN837-1 compliant

GL15 = Glass lens for 1.5" (40mm) dial

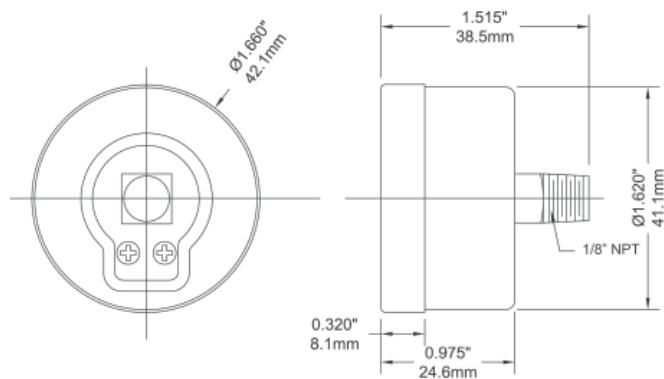
GL2 = Glass lens for 2" (50mm) dial

GL25 = Glass lens for 2.5" (63mm) dial

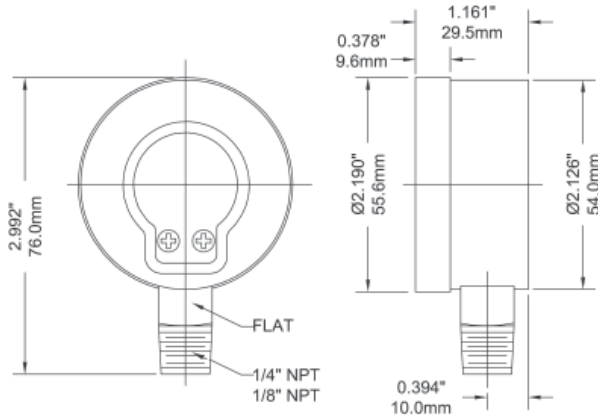
### 1.5" Bottom Connection



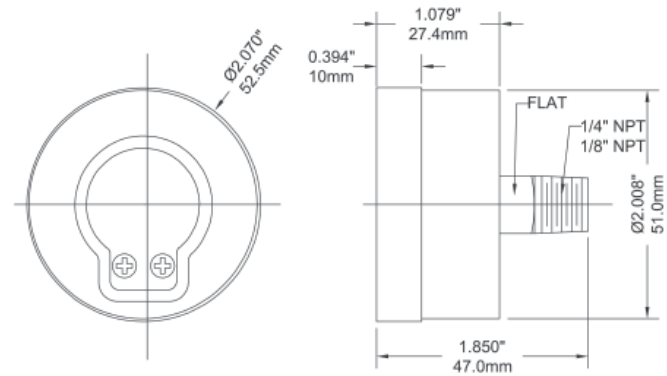
### 1.5" Back Connection



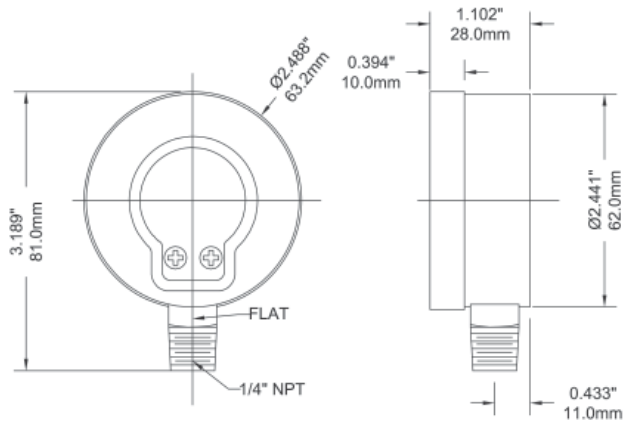
## 2" Bottom Connection



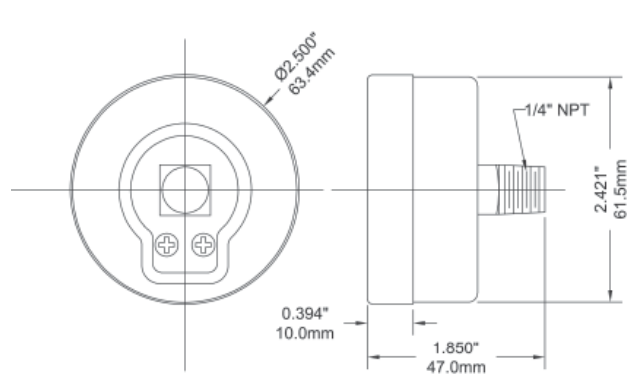
## 2" Back Connection



## 2.5" Bottom Connection



## 2.5" Back Connection



## 4" Bottom Connection

