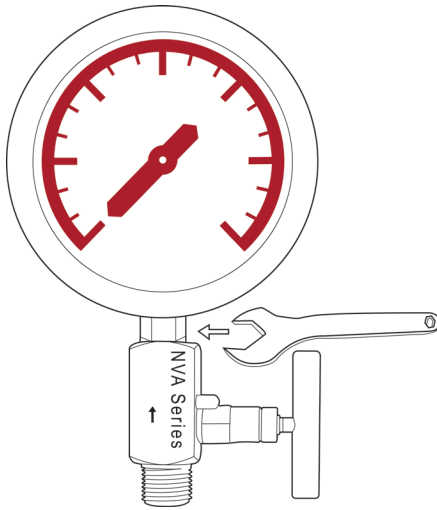
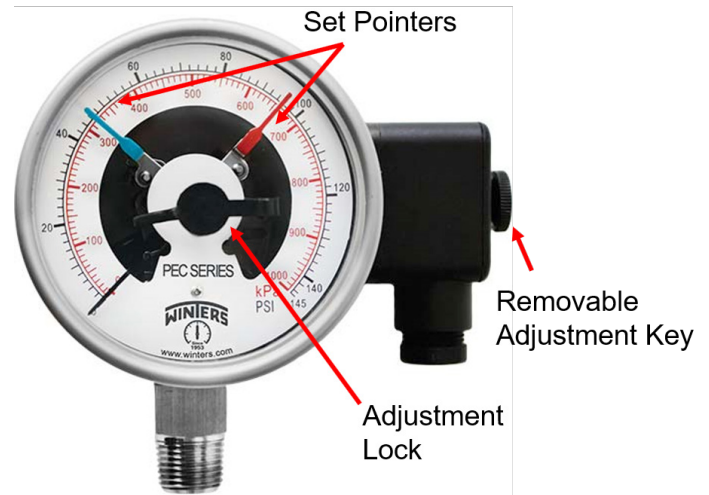


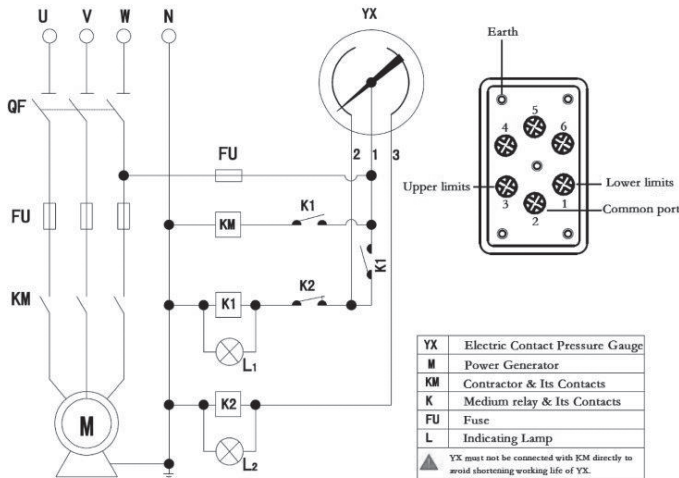
## Use Wrench Flats For Installation



## Adjusting The Set Pointers



## Electrical Wiring



**Electrical Connection** Plastic connection box with terminal block (Hirschmann-type)

**Contact Rating** 0.7 - 1 amp; 220 - 380 Vac (snap action contact)

**No. of Contacts** 1 or 2 SPST, independently adjustable  
2 - contact of high (upper limit) and/or low (lower limit)

- The setting of the set points is achieved by using the adjustment lock on the lens with the help of the adjustment key
- The set pointers are freely adjustable over the full scale of the pressure range
- For optimal life of the system, the switch points should be set between 10% and 90% of the pressure scale

## Single Snap-Action Reaction Types

Wiring Scheme	The instrument pointer moves clockwise and when it reaches the set limit value...	After the set limit is reached...
	...makes the contact	...circuit is closed
	...breaks the contact	...circuit is open

## Double Snap-Action Reaction Types

Wiring Scheme	The instrument pointer moves clockwise and when it reaches the set limit value...	After the set limit is reached...
	...makes the 1st contact ...makes the 2nd contact	...1st circuit is closed ...2nd circuit is closed
	...breaks the 1st contact ...breaks the 2nd contact	...1st circuit is open ...2nd circuit is open
	...makes the 1st contact ...breaks the 2nd contact	...1st circuit is closed ...2nd circuit is open
	...breaks the 1st contact ...makes the 2nd contact	...1st circuit is open ...2nd circuit is closed

**note:** for vacuum gauges set-points are opposite to those above indicated for the pointer usually rotates counterclockwise