



### Description & Features:

- Premium aluminum case gauge designed to read head pressure
- Stainless steel or brass wetted parts
- PSI and Feet of Water scales
- ASME B40.100 compliant
- CRN registered
- 5 year warranty

### Applications:

- Used to indicate liquid level in tank or stand pipe, etc.
- Economical alternative for level measurement

Specifications	Stainless Steel Internals	Brass Internals
Dial	4.5" (115mm)	4.5" (115mm)
Case	Aluminum, painted black	Aluminum, painted black
Front Flange	SS, polished	SS, polished
Back Flange	Steel, painted black	Steel, painted black
Lens	Glass	Glass
Ring	SS, polished	SS, polished
Socket	316L SS	Brass
Connection	1/4" NPT or 1/2" NPT standard	1/4" NPT or 1/2" NPT standard
Bourdon Tube	316L SS	Phosphor bronze
Movement	SS	Brass
Pointer	Aluminum, anodized black, micrometer adjustable	Aluminum, anodized black, micrometer adjustable
Welding	316L SS TIG Argonarc	Tin/copper alloy
Over-pressure Limit	30% of full scale value	30% of full scale value
Working Pressure	Maximum 75% of full scale value	Maximum 75% of full scale value
Ambient/Process Temperature	-40°F to 150°F (-40°C to 65°C)	-40°F to 150°F (-40°C to 65°C)
Accuracy	±0.5% ANSI/ASME Grade 2A	±0.5% ANSI/ASME Grade 2A
Enclosure Rating	IP52	IP52
Warning (brass internals only)	N/A	<b>⚠ WARNING:</b> This product can expose you to chemicals including lead, which is known to the State of California to cause cancer and birth defects or other reproductive harm. For more information go to <a href="http://www.P65Warnings.ca.gov">www.P65Warnings.ca.gov</a> .

### Order Codes

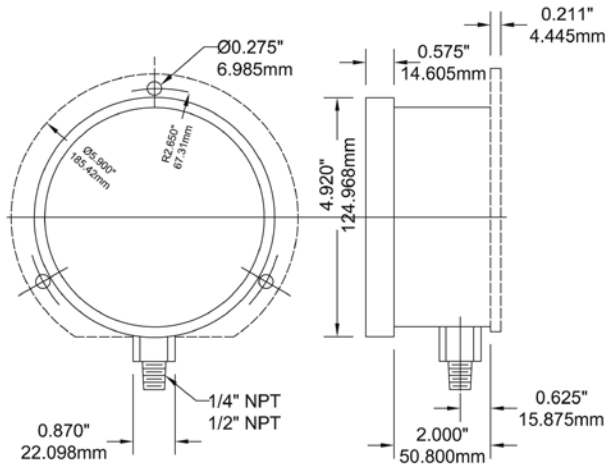
Dial Size	4.5" (115mm)	
Movement, Socket, Tube	Brass	SS
0/35 ft/water	PAL6008ALT	PAL6033ALT
0/70 ft/water	PAL6009ALT	PAL6034ALT
0/140 ft/water	PAL6010ALT	PAL6035ALT
0/230 ft/water	PAL6011ALT	PAL6036ALT
0/370 ft/water	PAL6012ALT	PAL6037ALT
0/460 ft/water	PAL6013ALT	PAL6038ALT
0/690 ft/water	PAL6014ALT	PAL6039ALT

Other ranges and connection sizes available upon request.  
 For scale change, refer to How to Order Guide for scale codes. **For options, attach suffix to end of order code: i.e. PAL6036ALT-B for BACK CONNECTION**

#### Option suffix:

- 300BF = Back flange
- B = Back connection
- MAXI45 = Maximum adjustable pointer available
- MS = Monel® socket and tube
- OST = Over stop protection
- SFC = Solid front safety case
- SG-45 = 4.5" (115mm) Safety glass lens
- UST = Under stop protection

### 4.5" Bottom Connection with Standard Back Flange



Monel® is a registered trademark of Inco Alloys International