



Description & Features:

- Excellent flow regulation and leak tight
- The one-piece body construction (no welding) provides strength, safety and corrosion resistance
- “Slow opening” prevents sudden pressure surge and instrument damage
- Material includes stainless steel and stainless steel NACE
- Available in Hard Seat (6,000 and 10,000 psi)
- ASME B1.20.1 compliant
- CRN registered
- 5 year warranty

Applications:

- Ideally suited for severe duty oil and gas installations including refineries and processing plants as well as water treatment plants, power plants and hydraulic applications

Angle Body Order Codes (products in bold are normally stock in North America)

NPT Connection	Material	Max. Pressure	Code
1/4" Female x 1/4" Female	Stainless Steel	6,000 psi	NVA8020
		10,000 psi	NVA9020
1/4" Male x 1/4" Female		6,000 psi	NVA8000
		10,000 psi	NVA9000
3/8" Female x 3/8" Female		6,000 psi	NVA8024
		10,000 psi	NVA9024
3/8" Male x 3/8" Female		6,000 psi	NVA8004
		10,000 psi	NVA9004
1/2" Female x 1/2" Female		6,000 psi	NVA8021
		10,000 psi	NVA9021
1/2" Male x 1/2" Female		6,000 psi	NVA8001
		10,000 psi	NVA9001
3/4" Female x 1/2" Female		6,000 psi	NVA8022
		10,000 psi	NVA9022
3/4" Male x 1/2" Female		6,000 psi	NVA8002
		10,000 psi	NVA9002
3/4" Female x 3/4" Female		6,000 psi	NVA8025
		10,000 psi	NVA9025
3/4" Male x 3/4" Female		6,000 psi	NVA8005
		10,000 psi	NVA9005
1" Female x 1" Female	6,000 psi	NVA8023	
	10,000 psi	NVA9023	
1" Male x 1" Female	6,000 psi	NVA8003	
	10,000 psi	NVA9003	

Angle Body NACE Order Codes

NPT Connection	Material	Max. Pressure	Code
1/4" Female x 1/4" Female	Stainless Steel NACE	6,000 psi	NVA8020N
		10,000 psi	NVA9020N
1/4" Male x 1/4" Female		6,000 psi	NVA8000N
		10,000 psi	NVA9000N
3/8" Female x 3/8" Female		6,000 psi	NVA8024N
		10,000 psi	NVA9024N
3/8" Male x 3/8" Female		6,000 psi	NVA8004N
		10,000 psi	NVA9004N
1/2" Female x 1/2" Female		6,000 psi	NVA8021N
		10,000 psi	NVA9021N
1/2" Male x 1/2" Female		6,000 psi	NVA8001N
		10,000 psi	NVA9001N
3/4" Female x 1/2" Female		6,000 psi	NVA8022N
		10,000 psi	NVA9022N
3/4" Male x 1/2" Female		6,000 psi	NVA8002N
		10,000 psi	NVA9002N
3/4" Female x 3/4" Female		6,000 psi	NVA8025N
		10,000 psi	NVA9025N
3/4" Male x 3/4" Female		6,000 psi	NVA8005N
		10,000 psi	NVA9005N
1" Female x 1" Female	6,000 psi	NVA8023N	
	10,000 psi	NVA9023N	
1" Male x 1" Female	6,000 psi	NVA8003N	
	10,000 psi	NVA9003N	

Option suffix:

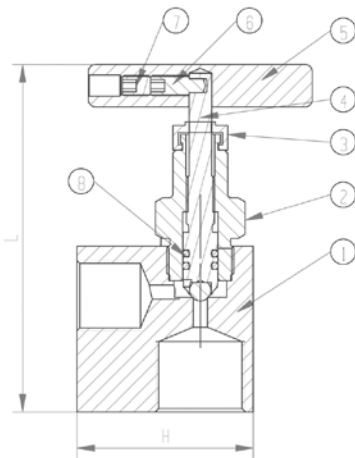
CPM = Carbon steel panel mount kit

SPM = Stainless steel panel mount kit

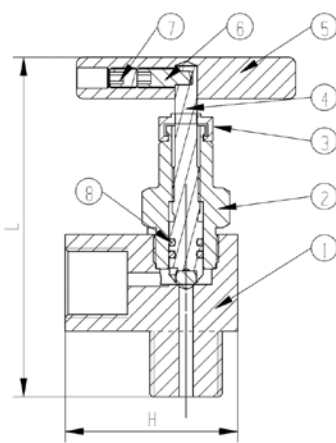
Material

Description	Component Number	Stainless Steel	Stainless Steel NACE
Body	1	316 SS	316 SS NACE
Bonnet	2	316 SS	316 SS NACE
Dustcap	3	Nylon	Nylon
Needle / Needle Tip	4	316 SS	316 SS NACE
Handle	5	304 SS	304 SS
Screw	6	304 SS	304 SS
Fastening Screws	7	304 SS	304 SS
O-ring	8	FKM	FKM
Dwell Pin	9	304 SS	304 SS

Female x Female



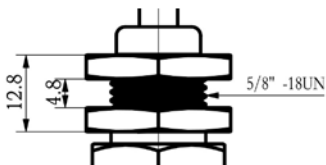
Male x Female



Dimensions

Size	H	L	SQ
1/4" Female x 1/4" Female	1.81" (46mm)	3.66" (93mm)	1.10" (28mm)
1/4" Male x 1/4" Female	1.77" (45mm)	3.58" (91mm)	1.10" (28mm)
3/8" Female x 3/8" Female	1.81" (46mm)	3.66" (93mm)	1.10" (28mm)
3/8" Male x 3/8" Female	1.77" (45mm)	3.82" (97mm)	1.10" (28mm)
1/2" Female x 1/2" Female	1.97" (50mm)	3.82" (97mm)	1.10" (28mm)
1/2" Male x 1/2" Female	1.97" (50mm)	3.82" (97mm)	1.10" (28mm)
3/4" Female x 1/2" Female	1.97" (50mm)	3.82" (97mm)	1.26" (32mm)
3/4" Male x 1/2" Female	1.97" (50mm)	3.86" (98mm)	1.10" (28mm)
3/4" Female x 3/4" Female	1.97" (50mm)	3.82" (97mm)	1.26" (32mm)
3/4" Male x 3/4" Female	1.97" (50mm)	3.86" (98mm)	1.26" (32mm)
1" Female x 1" Female	2.48" (63mm)	4.41" (112mm)	1.58" (40mm)
1" Male x 1" Female	2.48" (63mm)	4.41" (112mm)	1.58" (40mm)

Panel Mont Kit (CPM/SPM)



Panel Mont Kit (CPM/SPM)

