

30 to 2,500 psi (207 to 17,250 kPa)



### Description & Features:

- Can be used on applications requiring a NACE compliant MR0103-2003 diaphragm seal
- ASME B40.100 compliant
- 5 year warranty

### Applications:

- Sour gas applications requiring instrumentation that meet NACE International Standards

Specifications	
<b>Housing</b>	Hastelloy® C
<b>Diaphragm</b>	Hastelloy® C, welded
<b>Construction</b>	Two piece construction
<b>Gasket Material</b>	Buna N (FKM, PTFE optional)
<b>Connection</b>	Top: 1/4" and 1/2" NPTF Bottom: 1/4", 1/2", 3/4" and 1" NPTF
<b>Process Temperature</b>	-22°F to 212°F (-30°C to 100°C)
<b>Other</b>	Flushing connections available. Other materials available upon request.

### Order Codes

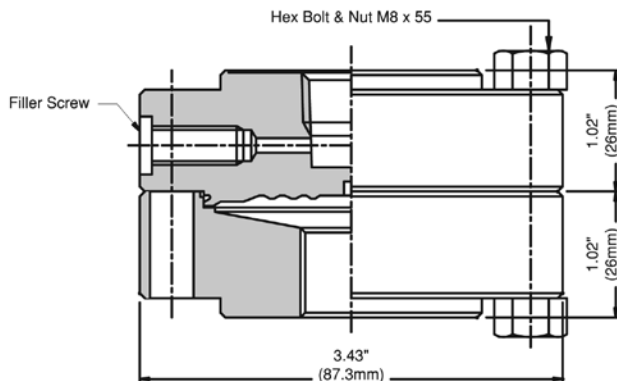
Upper Housing (Top)	
Hast. C, 1/4" NPTF conn., Hastelloy® C diaphragm	D71966HASC75
Hast. C, 1/2" NPTF conn., Hastelloy® C diaphragm	D71967HASC75
Lower Housing (Bottom)	
Hastelloy® C, 1/4" NPTF	D71954HASC75
Hastelloy® C, 1/2" NPTF	D71956HASC75
Hastelloy® C, 1/2" NPTF with flushing	D71957HASC75
Hastelloy® C, 3/4" NPTF	D71963HASC75
Hastelloy® C, 3/4" NPTF with flushing	D71959HASC75
Hastelloy® C, 1" NPTF	D71964HASC75
Hastelloy® C, 1" NPTF with flushing	D71965HASC75

### Option suffix for above order code only:

SF-D = Silicone fill (seal only)

FL-D = Fluorolube fill (seal only)

Other fill fluids (seal only) available upon request



Hastelloy® is a registered trademark of Haynes International, Inc.