

Description & Features:

- The one-piece body construction (no welding) provides strength and corrosion resistance
- Block & bleed design allows pressure to be bled off without disturbing the permanent piping installation, allowing quick and easy removal or replacement of instruments
- Available in Soft Seat (6,000 psi) and Hard Seat (10,000 psi)
- All stems are 316 stainless steel
- CRN registered
- 5 year warranty

Applications:

- Ideally suited for severe duty oil and gas installations including refineries and processing plants as well as water treatment plants, power plants and hydraulic applications where controlled venting of media is required

Block & Bleed Two Handle Order Codes (products in bold are normally stock in North America)

NPT Connection	Material	Seat	Max. Pressure	Code
1/4" Female x 1/4" Female	Carbon Steel	Soft Seat	6,000 psi	BBV4220
1/4" Male x 1/4" Female				BBV4200
1/2" Female x 1/2" Female				BBV4221
1/2" Male x 1/2" Female				BBV4201
3/4" Female x 1/2" Female				BBV4251
3/4" Male x 1/2" Female				BBV4241
1/4" Female x 1/4" Female	Stainless Steel	Soft Seat	6,000 psi	BBV1220
1/4" Male x 1/4" Female				BBV1200
1/2" Female x 1/2" Female				BBV1221
1/2" Male x 1/2" Female				BBV1201
3/4" Female x 1/2" Female				BBV1251
3/4" Male x 1/2" Female				BBV1241
1/4" Female x 1/4" Female	Carbon Steel	Hard Seat	10,000 psi	BBV6220
1/4" Male x 1/4" Female				BBV6200
1/2" Female x 1/2" Female				BBV6221
1/2" Male x 1/2" Female				BBV6201
3/4" Female x 1/2" Female				BBV6251
3/4" Male x 1/2" Female				BBV6241
3/4" Female x 3/4" Female	Stainless Steel	Hard Seat	10,000 psi	BBV6261
3/4" Male x 3/4" Female				BBV6271
1/4" Female x 1/4" Female				BBV3220
1/4" Male x 1/4" Female				BBV3200
1/2" Female x 1/2" Female				BBV3221
1/2" Male x 1/2" Female				BBV3201
3/4" Female x 1/2" Female	BBV3251			
3/4" Male x 1/2" Female	BBV3241			
3/4" Female x 3/4" Female	BBV3261			
3/4" Male x 3/4" Female	BBV3271			

Block & Bleed Two Handle NACE Order Codes

NPT Connection	Material	Seat	Max. Pressure	Code
1/4" Female x 1/4" Female	Stainless Steel NACE	Hard Seat	10,000 psi	BBV3220N
1/4" Male x 1/4" Female				BBV3200N
1/2" Female x 1/2" Female				BBV3221N
1/2" Male x 1/2" Female				BBV3201N
3/4" Female x 1/2" Female				BBV3251N
3/4" Male x 1/2" Female				BBV3241N

Replacement Plug Order Codes

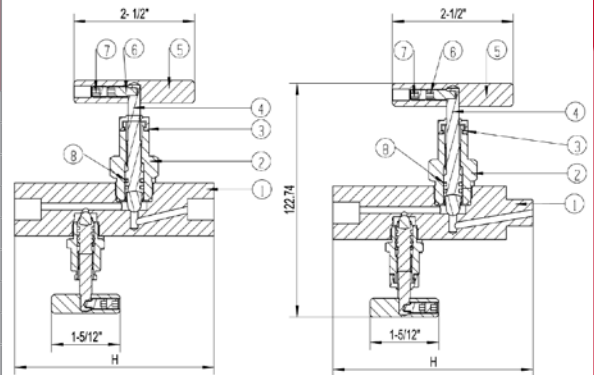
Plug or Screw	Carbon Steel	Stainless Steel	Stainless Steel NACE
1/4" NPT Plug	NVAPLUG04	NVAPLUG03	NVAPLUG03N

Hard Seat Material

Description	Component Number	Carbon Steel Hard Seat	Stainless Steel Hard Seat	Stainless Steel NACE Hard Seat
Body	1	Carbon Steel	316 SS	316 SS NACE
Bonnet	2	Carbon Steel	316 SS	316 SS NACE
Dustcap	3	Nylon	Nylon	Nylon
Needle / Needle Tip	4	316 SS	316 SS	316 SS NACE
Handle	5	Carbon Steel	304 SS	304 SS
Screw	6	304 SS	304 SS	304 SS
Fastening Screw	7	304 SS	304 SS	304 SS
O-rings	8	FKM	FKM	FKM
Dwell Pin	9	304 SS	304 SS	304 SS
Vent Plug	10	Carbon Steel	316 SS	316 SS NACE

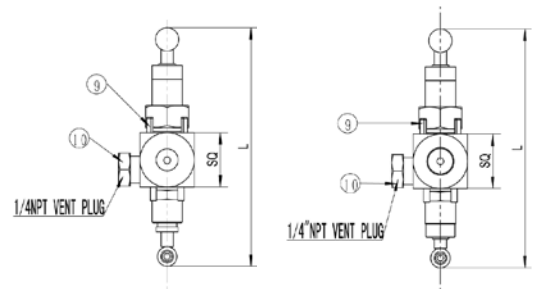
Female x Female

Male x Female



Hard Seat Dimensions

Size	H	L	SQ
1/4" Female x 1/4" Female	4.13" (105mm)	4.83" (123mm)	1.10" (28mm)
1/4" Male x 1/4" Female	4.13" (105mm)	4.83" (123mm)	1.10" (28mm)
1/2" Female x 1/2" Female	4.13" (105mm)	4.83" (123mm)	1.10" (28mm)
1/2" Male x 1/2" Female	4.13" (105mm)	4.83" (123mm)	1.10" (28mm)
3/4" Female x 1/2" Female	4.13" (105mm)	4.99" (127mm)	1.26" (32mm)
3/4" Male x 1/2" Female	4.29" (109mm)	4.83" (123mm)	1.10" (28mm)

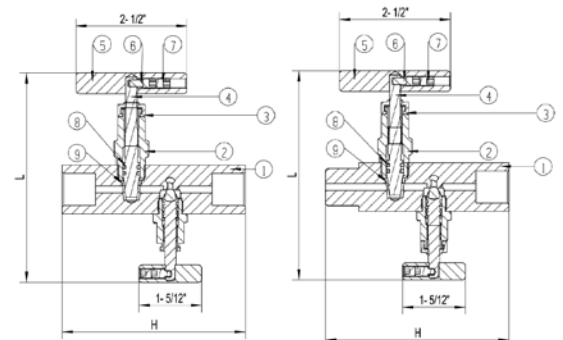


Soft Seat Material

Description	Component Number	Carbon Steel Soft Seat	Stainless Steel Soft Seat
Body	1	Carbon Steel	316 SS
Bonnet	2	Carbon Steel	316 SS
Dustcap	3	Nylon	Nylon
Needle / Needle Tip	4	316 SS	316 SS
Handle	5	Carbon Steel	304 SS
Screw	6	304 SS	304 SS
Fastening Screw	7	304 SS	304 SS
O-rings	8	FKM	FKM
Seat	9	Delrin	Delrin
Dwell Pin	10	304 SS	304 SS
Vent Plug	11	Carbon Steel	316 SS

Female x Female

Male x Female



Soft Seat Dimensions

Size	H	L	SQ
1/4" Female x 1/4" Female	4.13" (105mm)	4.72" (120mm)	1.10" (28mm)
1/4" Male x 1/4" Female	4.13" (105mm)	4.72" (120mm)	1.10" (28mm)
1/2" Female x 1/2" Female	4.13" (105mm)	4.72" (120mm)	1.10" (28mm)
1/2" Male x 1/2" Female	4.13" (105mm)	4.72" (120mm)	1.10" (28mm)
3/4" Female x 1/2" Female	4.29" (109mm)	4.88" (124mm)	1.26" (32mm)
3/4" Male x 1/2" Female	4.29" (109mm)	4.68" (119mm)	1.10" (28mm)

