



Description & Features:

- Bellows actuated “frictionless” switching mechanism
- 15 to 5,000 psi pressure range
- One or two SPDT switch
- Adjustable deadband available
- Cast aluminum construction with stainless steel wetted parts
- NEMA 4X, 12 & 13 enclosure rating
- UL recognized
- 5 year warranty

Applications:

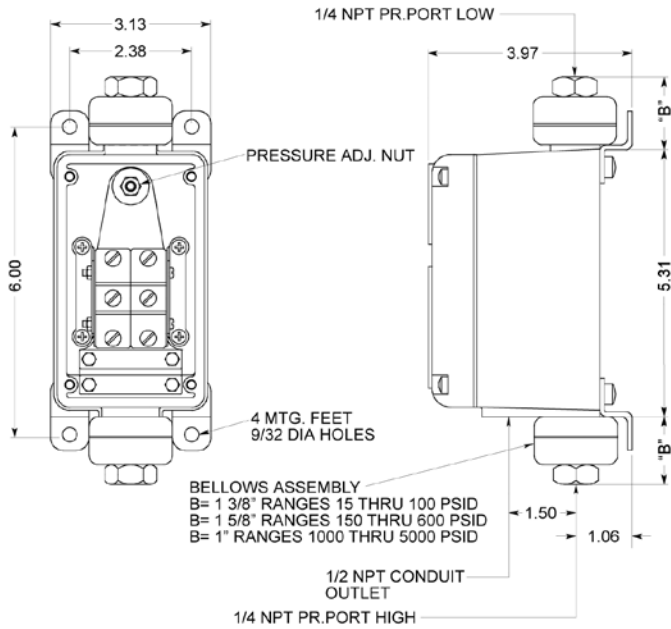
- Pumping stations, remote locations, ideal for High-Low level control (requiring dual elements)

Specifications

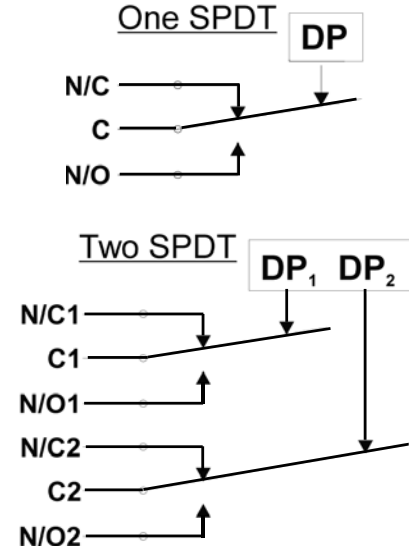
Housing Material	Cast aluminum
Sensitivity	±0.5% of range (for one SPDT switch)
Pressure Connection	1/4" NPTF
Electrical Connection	1/2" NPTF conduit connection
Wetted Parts	SS
Set Point Adjustment	Screw type, field adjustable
Deadband	Fixed (adjustable option available)
Contact Rating	15 amps @ 125/250/480 Vac
No. of Contacts	1 x SPDT (2 x SPDT optional)
Ambient Temperature	-40°F to 180°F (-40°C to 82°C)
Enclosure Rating	NEMA 4X, 12 & 13, hermetically sealed switch option available
Approvals	UL recognized (switch only)
Weight	Approx. 3 lbs (1.36 kg)

Order Codes

Range psi (bar)	Max. Deadband psi (bar)	Max. Working Pressure psi (bar)	NEMA 4X Code
0/15 (0/1)	0.7 (0.05)	300 (21)	5WPS0015AFX
0/30 (0/2)	0.7 (0.05)	300 (21)	5WPS0030AFX
0/60 (0/4)	0.8 (0.06)	300 (21)	5WPS0060AFX
0/100 (0/7)	1.0 (0.07)	300 (21)	5WPS0100AFX
0/150 (0/10)	4.0 (0.28)	1,500 (104)	5WPS0150AFX
0/200 (0/14)	4.0 (0.28)	1,500 (104)	5WPS0200AFX
0/300 (0/21)	4.0 (0.28)	1,500 (104)	5WPS0300AFX
0/600 (0/41)	5.0 (0.35)	1,500 (104)	5WPS0600AFX
0/1,000 (0/69)	12.0 (0.83)	3,000 (207)	5WPS1000AFX
0/2,000 (0/138)	15.0 (1.04)	3,000 (207)	5WPS2000AFX
0/3,000 (0/207)	37.0 (2.55)	7,000 (483)	5WPS3000AFX
0/5,000 (0/345)	45.0 (3.10)	7,000 (483)	5WPS5000AFX



Wiring Diagram



Series Number (how to order)

SERIES

HOUSING

Watertight NEMA 4X, 12 & 13

SWITCH

One SPDT

Two tandem switches operate in parallel DPDT

Two SPDT independent adjustment

SENSING ELEMENT

Bellows actuated differential pressure

OPTIONS

No options (blank)

Adjustable deadband (adj. 10% - 50% of range)

External pressure adjustment

Two external pressure adjustment

Manual reset, switch on increase pressure

Manual reset, switch on decrease pressure

CONTACT RAING

Low deadband 15 amps @ 125/250/480 VAC

Standard deadband 15 amps @ 125/250/480 VAC, 0.5 amp @ 125 VDC

High DC rated (magnetic blowout) 10 amps @ 125 VDC, 3 amps @ 250 VDC

Hermetically sealed switch 1 amp @ 125 VAC, 25 amps res., 10 amps ind., 5 amp motor, 3 amp lamp @ 28 VDC

Gold contact 1 amp @ 125 VAC

PRESSURE RANGES PSI (BAR)

0-15 PSI (0-1)

0-30 PSI (0-2)

0-60 PSI (0-4)

0-100 PSI (0-7)

0-150 PSI (0-10)

0-200 PSI (0-14)

0-300 PSI (0-21)

0-600 PSI (0-41)

0-1,000 PSI (0-69)

0-2,000 PSI (0-138)

0-3,000 PSI (0-207)

0-5,000 PSI (0-345)

5	W	P	S	-		-		-		-		-		-				
					W													
						1												
						1	1											
						2												
								B	D									
										A								
										E								
										E	E							
										R	>							
										R	<							
											1							
											2							
											3							
											4							
											6							
													0	0	1	5		
													0	0	3	0		
													0	0	6	0		
													0	1	0	0		
													0	1	5	0		
													0	2	0	0		
													0	3	0	0		
													0	6	0	0		
													1	0	0	0		
													2	0	0	0		
													3	0	0	0		
													5	0	0	0		

Switches