



Note: RoHS applies only with SS TIW thermowell

### Description & Features:

- A versatile thermometer that provides a solar powered digital read out commonly used in the industrial and commercial plumbing trade
- Low light compatible (16 Lux minimum)
- Includes a separable thermowell
- Durable ABS case
- Switchable temperature scale (°F or °C)
- Adjustable angle connection for easy installation
- ±1% accuracy
- ASME B40.200 compliant
- 5 year warranty

### Applications:

- New construction, plumbing, water lines, boilers, heating, ventilation and air conditioning

### Specifications

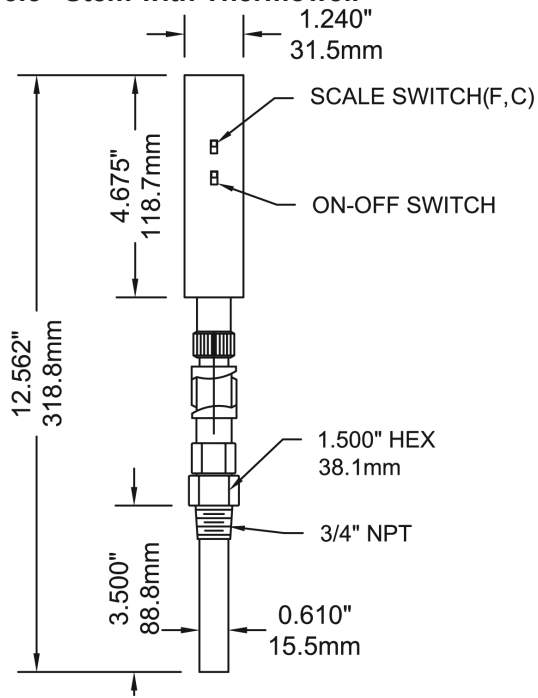
<b>Display</b>	2.55" x 4.67" (63.7mm x 116.7mm) solar powered display
<b>Housing</b>	High impact ABS plastic housing with aluminum movable parts
<b>Lux Rating</b>	16 Lux
<b>Sensing Element</b>	Liquid
<b>Stem Length</b>	3.5" (90mm), 6" (150mm)
<b>Connection / Thermowell</b>	3/4" NPT, with brass thermowell standard, (SS optional) 1-1/4" UNF swivel nut (without thermowell)
<b>Temperature Range</b>	-50°F to 320°F (-45°C to 160°C)
<b>Read Interval</b>	Every 6 seconds
<b>Ambient Temperature</b>	14°F to 150°F (-10°C to 65°C)
<b>Process Temperature</b>	-50°F to 320°F (-45°C to 160°C)
<b>Accuracy</b>	±1%
<b>Enclosure Rating</b>	NEMA 5 / IP54

### Order Codes (products in bold are normally stock in North America)

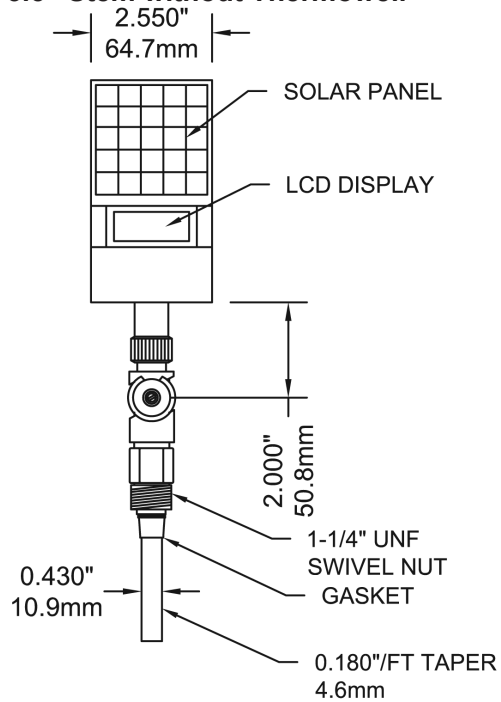
Stem/Ranges	Code (Includes Thermowell)
3.5" (90mm) Stem (-50°F to 320°F or -45°C to 160°C)	<b>TSD9ITSD</b>
6" (150mm) Stem (-50°F to 320°F or -45°C to 160°C)	<b>TSD9ITSD6</b>

Other ranges and connection sizes available upon request. Duct flange and union connection available upon request. 6" (150mm) stem available. For an Industrial Thermowell, please refer to the Industrial Thermowell product page.

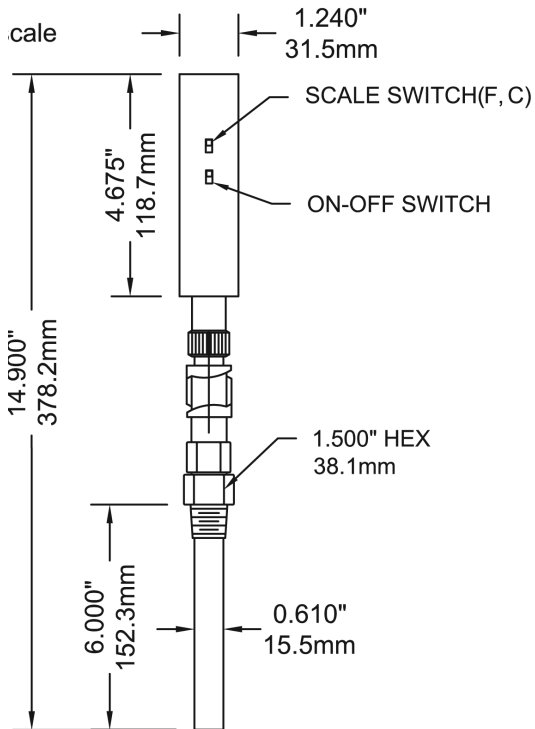
### 3.5" Stem with Thermowell



### 3.5" Stem without Thermowell



### 6" Stem with Thermowell



### 6" Stem without Thermowell

