



### Description & Features:

- Designed for use with all 9" (230mm) industrial thermometers to create a "sealed system"
- Allows the easy replacement of thermometers without the need to shut down or drain the system
- CAN/CGSB-14.4-M88 compliant
- CRN registered
- 1 year warranty

### Applications:

- HVAC, pipes, chill water and hot water lines
- Lead free version for potable water systems



Note: RoHS applies only to 304 SS and 316 SS thermowells

### Specifications

<b>Material</b>	TIW: Brass, AISI 304 SS, AISI 316 SS TIW-LF: Lead free brass
<b>Bore Diameter</b>	7/16" tapered
<b>Form</b>	Stepped standard, straight available
<b>Thermometer Connection</b>	1-1/4" UNF
<b>Process Connection</b>	3/4" NPTM standard

### TIW Thermowell Order Codes (products in bold are normally stock in North America)

Stem Length	Overall Length	Material	Insertion Length	Lagging Extension	1/2" NPT Connection	3/4" NPT Connection
<b>3.5" Without Lagging</b>	4.25" (108mm)	Brass	2.5" (63mm)	-	-	<b>TIW01</b>
		304 SS			-	<b>TIW01-1</b>
		316 SS			-	TIW01-2
<b>3.5" With Lagging</b>	4.25" (108mm)	Brass	1.75" (44mm)	1" (25mm)	<b>TIW02</b>	<b>TIW03</b>
		304 SS			TIW02-1	TIW03-1
		316 SS			TIW02-2	TIW03-2
<b>6" Without Lagging</b>	6.75" (172mm)	Brass	5" (127mm)	-	-	TIW04
		304 SS			-	TIW04-1
		316 SS			-	TIW04-2
<b>6" With Lagging</b>	6.75" (172mm)	Brass	2.5" (63mm)	2.5" (63mm)	-	TIW07
		304 SS			-	TIW07-1
		316 SS			-	TIW07-2

### TIW-LF Thermowell Order Codes (products in bold are normally stock in North America)

Stem Length	Overall Length	Material	Insertion Length	Lagging Extension	3/4" NPT Connection
<b>3.5" Without Lagging</b>	4.25" (108mm)	Lead Free Brass	2.5" (63mm)	-	TIW01LF
<b>3.5" With Lagging</b>		Lead Free Brass	1.75" (44mm)	1" (25mm)	TIW03LF
<b>6" Without Lagging</b>	6.75" (172mm)	Lead Free Brass	5" (127mm)	-	TIW04LF
<b>6" With Lagging</b>		Lead Free Brass	2.5" (63mm)	2.5" (63mm)	TIW07LF

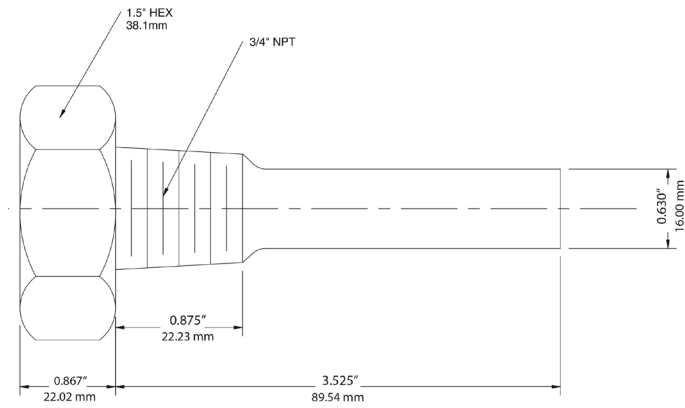
Other configurations available. Other threads available upon request. Longer thermowells available upon request. Other materials such as Monel®, Inconel®, Hastelloy® C and Titanium are available upon request.

### Option suffix:

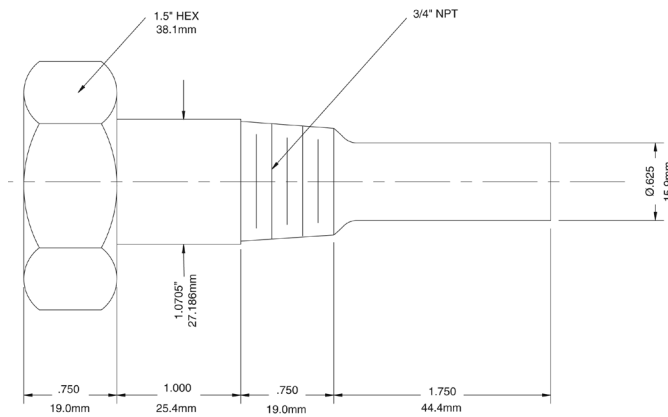
W61 = Brass cap and chain (1.25" UNF)  
W61-1 = SS cap and chain (1.25" UNF)

Hastelloy® is a registered trademark of Haynes International, Inc.  
Inconel® is a registered trademark of Special Metals Corporation  
Monel® is a registered trademark of Inco Alloys International

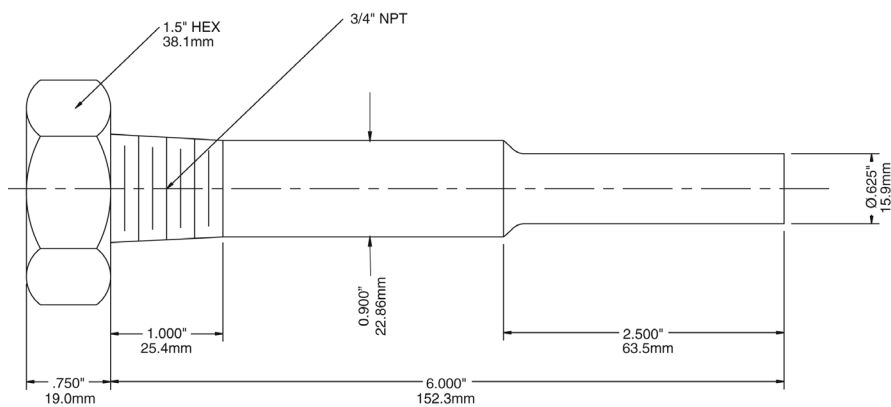
## 3.5" Stem Without Lagging



## 3.5" Stem With Lagging



## 6" Stem Without Lagging



## 6" Stem With Lagging

