



Note: RoHS only applies to SS adjustable snubber

Description & Features:

- Prolongs the life of pressure instruments by reducing the damaging effects of pulsation
- ASME B40.100 compliant
- CRN registered
- 5 year warranty

Applications:

- Can be utilized to change the amount of restriction
- Pumps, compressors, hydraulic presses or fluid power applications

Specifications

Body	Brass or SS
Connection	1/4" or 1/2" NPTM x NPTF
Temperature Range	-40°F to 248°F (-40°C to 120°C)
Warning (brass internals only)	⚠ WARNING: This product can expose you to chemicals including lead, which is known to the State of California to cause cancer and birth defects or other reproductive harm. For more information go to www.P65Warnings.ca.gov .

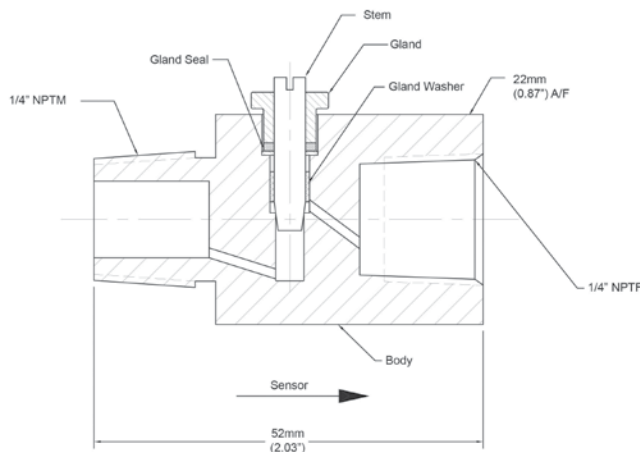
Order Codes

Pressure Rating	Material / NPT Connection	Seal	Code
6,000 psi	Brass 1/4" MxF	PTFE	SAS540
	Brass 1/2" MxF		SAS541
	SS 1/4" MxF		SAS542
10,000 psi	SS 1/2" MxF		SAS543

Description	SS	Brass
Gland Seal	PTFE	
Stem	316 SS	
Gland	316 SS	Brass
Gland Washer	316 SS	
Body	316 SS	Brass

Caution: When adjusting the valve, do not adjust more than two turns from the closed position as leakage will occur.

1/4" NPT



1/2" NPT

