**Description & Features:**

- Reliable, small diameter, low profile gauge
- 1" (25mm) to 1.5" (40mm) sizes
- 1/8" NPT socket
- Direct drive (no linkages or hairsprings) eliminating premature failure from the gear and movement
- Safety over-pressure port on the lens
- "Use No Oil" for use in oxygen service
- ASME B40.100 compliant
- CRN registered
- UL listed for 1.25" and 1.5" gauges
- 5 year warranty

**Applications:**

- Commonly used on portable pneumatic equipment such as compressors, hand-held sprayers, pressurized recreational guns, oxygen tanks and regulators, pumps and fire extinguishers

**1.25" (32mm) and 1.5" (40mm)**

**UL252A** Recognized - Low pressures up to 1,000 psi, Listing No. MH25761

**UL404** Listed - High pressures - 0 to 3,000 psi, Listing No. SA12053

**Specifications**

<b>Dial</b>	1" (25mm), 1.125" (30mm), 1.25" (32mm) or 1.5" (40mm) white aluminum with black markings
<b>Case</b>	1" (25mm): Nickel plated brass Others: 304 SS
<b>Lens</b>	Plexiglass
<b>Spiral/Socket</b>	60 to 2,000 psi: Brass 3,000 psi: Beryllium copper 4,000 psi and above: 304 SS
<b>Connection</b>	1/8" NPT standard, back
<b>Pointer</b>	3,000 psi and below: Brass 4,000 psi and above: 304 SS
<b>Over-pressure Limit</b>	10% of full scale value 25% of full scale value (0-3,000 psi, UL404 listed)
<b>Working Pressure</b>	Maximum 75% of full scale value
<b>Ambient/Process Temperature</b>	-40°F to 150°F (-40°C to 65°C)
<b>Accuracy</b>	±3-2-3% ANSI/ASME Grade B
<b>Enclosure Rating</b>	IP65

**Order Codes\***

Dial Size	1" (25mm)	1.125" (30mm)	1.25" (32mm)	1.5" (40mm)
0/60 psi	-	PSP115060	PSP125060	PSP150060
0/100 psi	PSP10100	PSP1150100	PSP1250100	PSP1500100
0/160 psi	PSP10160	PSP1150160	PSP1250160	PSP1500160
0/200 psi	PSP10200	PSP1150200	PSP1250200	PSP1500200
0/300 psi	PSP10300	PSP1150300	PSP1250300	PSP1500300
0/600 psi	PSP10600	PSP1150600	PSP1250600	PSP1500600
0/1,000 psi	PSP101000	PSP11501000	PSP12501000	PSP15001000
0/1,500 psi	PSP101500	PSP11501500	PSP12501500	PSP15001500
0/2,000 psi	PSP102000	PSP11502000	PSP12502000	PSP15002000
0/3,000 psi	PSP103000	PSP11503000	PSP12503000	PSP15003000
0/4,000 psi	PSP104000	PSP11504000	PSP12504000	PSP15004000
0/5,000 psi	PSP105000	PSP11505000	PSP12505000	PSP15005000

Other ranges and connection sizes available upon request. For scale change, refer to How to Order Guide for scale codes.

**For options, attach suffix to end of order code: i.e. PSP15001500-1.5BOOT for 1.5" PROTECTIVE BOOT**

**Option suffix:**

1.25BOOT = 1.25" (32mm) Protective rubber boot

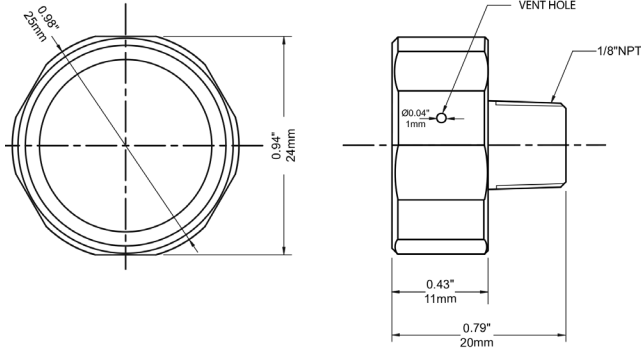
1.5BOOT = 1.5" (40mm) Protective rubber boot

\*Minimum order quantity required

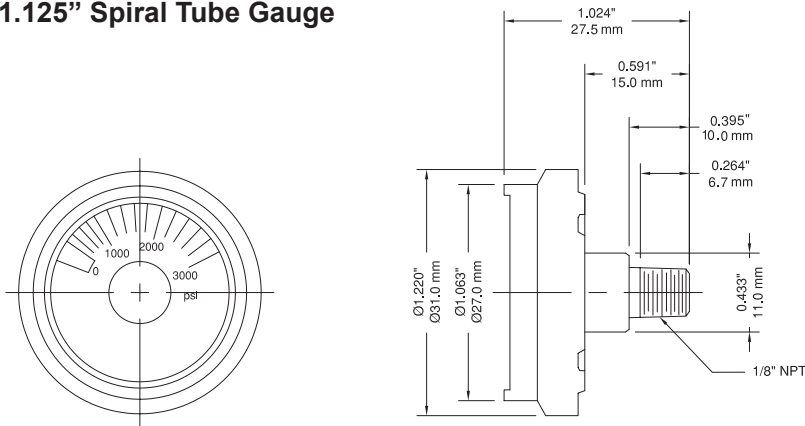
**WINTERS INSTRUMENTS**

**Tel: 1-800-WINTERS / [www.winters.com](http://www.winters.com)**

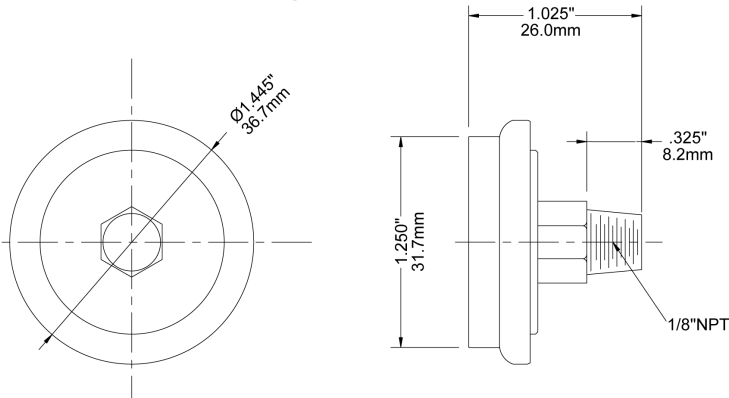
## 1" Spiral Hex Tube Gauge



## 1.125" Spiral Tube Gauge



## 1.25" Spiral Tube Gauge



## 1.5" Spiral Tube Gauge

