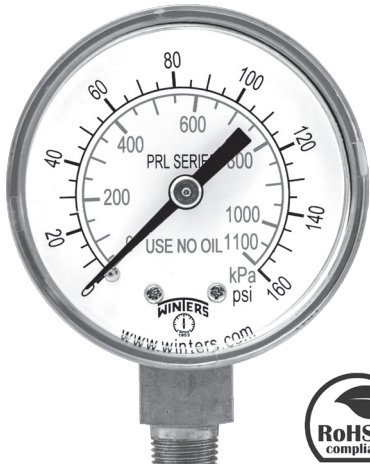


PRL Regulator Gauge



Description & Features:

- Small diameter, all stainless steel gauge
- 1.5" (40mm) and 2" (50mm) dials
- Full view snap-in lens
- Back and bottom connection
- ASME B40.100 compliant
- CRN registered
- 5 year warranty

Applications:

- Regulators, valve positioners and actuators that require a reliable and corrosion-resistant pressure gauge

Specifications

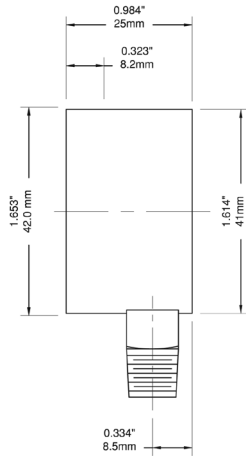
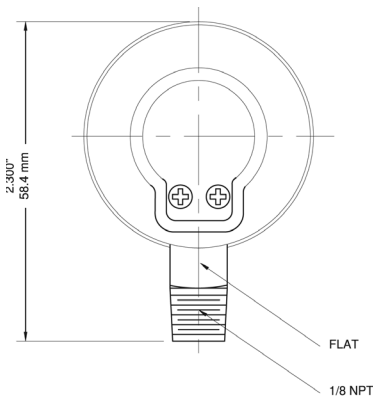
Dial	1.5" (40mm), 2" (50mm) white aluminum with black and red markings
Case	304 SS
Lens	Acrylic, snap-in type
Socket	316 SS
Connection	1/8" NPT or 1/4" NPT standard
Bourdon Tube	316 SS
Movement	304 SS
Pointer	Aluminum, painted black
Welding	Silver alloy
Over-pressure Limit	25% of full scale value
Working Pressure	Maximum 75% of full scale value
Ambient/Process Temperature	-40°F to 150°F (-40°C to 65°C)
Accuracy	±2.5% of full scale value
Enclosure Rating	IP52

Order Codes

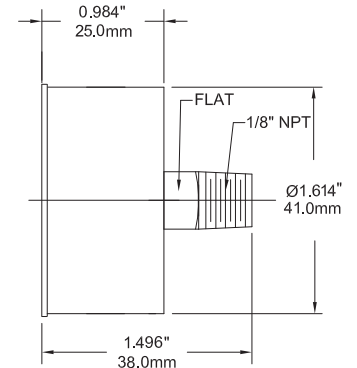
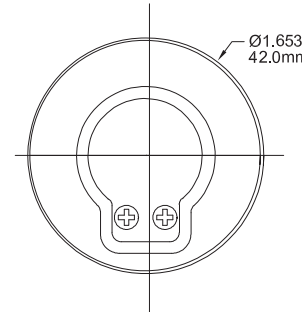
Dial Size	1.5" (40mm)		2" (50mm)			
	1/8" Bottom	1/8" Back (CB)	1/8" Bottom	1/8" Back (CB)	1/4" Bottom	1/4" Back (CB)
30" Hg Vac/kPa	-	-	-	-	-	-
30"/0/15 psi/kPa	-	-	-	-	PRL017	PRL026
30"/0/30 psi/kPa	-	-	-	-	-	-
30"/0/60 psi/kPa	-	-	-	PRL040	PRL018	PRL027
30"/0/100 psi/kPa	-	-	-	-	PRL019	PRL028
30"/0/160 psi/kPa	-	-	-	-	PRL020	PRL029
0/15 psi/kPa	-	-	-	-	-	-
0/30 psi/kPa	PRL001	PRL005	PRL009	PRL013	PRL021	PRL030
0/60 psi/kPa	PRL002	PRL006	PRL010	PRL014	PRL022	PRL031
0/100 psi/kPa	PRL003	PRL007	PRL011	PRL015	PRL023	PRL032
0/160 psi/kPa	PRL004	PRL008	PRL012	PRL016	PRL024	PRL033
0/200 psi/kPa	-	-	-	-	PRL042	-
0/300 psi/kPa	-	-	-	-	-	-
0/400 psi/kPa	-	-	-	-	PRL036	-
0/600 psi/kPa	-	-	-	-	-	PRL034
0/1,000 psi/kPa	-	-	-	-	-	-
0/2,000 psi/kPa	-	-	-	-	-	-
0/3,000 psi/kPa	PRL038	PRL041	-	-	PRL025	PRL035
0/5,000 psi/kPa	-	PRL039	-	-	-	-

Other ranges and connection sizes available upon request. For scale change, refer to How to Order Guide for scale codes.

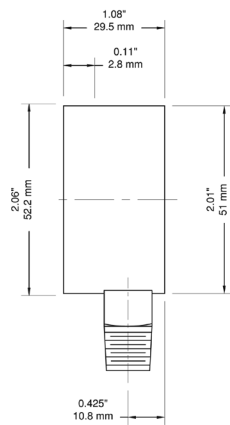
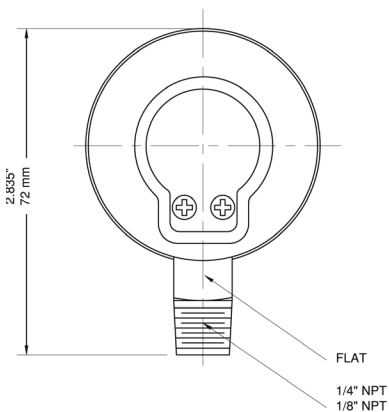
1.5" Bottom Connection



1.5" Back Connection



2" Bottom Connection



2" Back Connection

