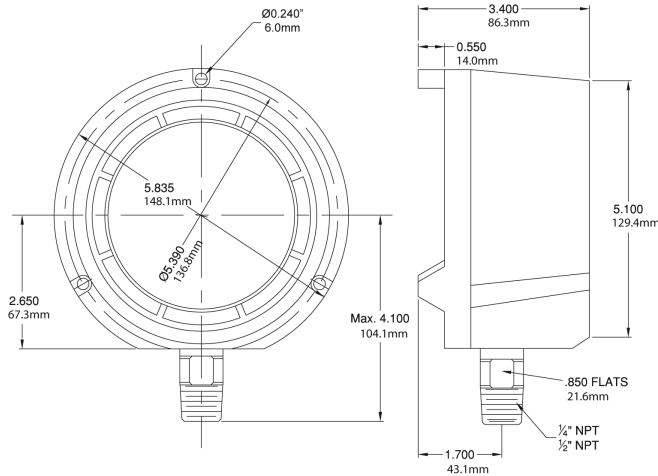
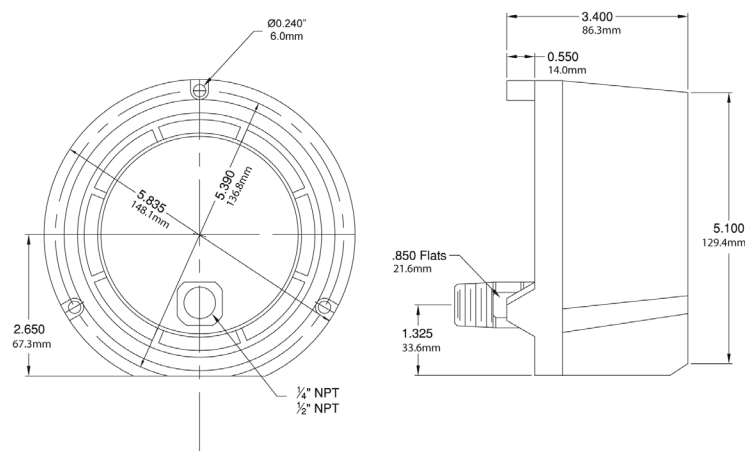


4.5" Bottom Connection



4.5" Back Connection



PRC Receiver Gauge



Description & Features:

- High quality gauge designed to work with a pneumatic transmitter or controller
- 3-15 psi with a variety of receiver ranges
- 316 stainless steel or brass wetted parts
- ASME B40.100 compliant
- CRN registered
- 5 year warranty

Applications:

- Works in conjunction with valves and transmitters to indicate changes in pressure, temperature, flow, level, or other measured proportional variables

Order Codes

Connection	1/4" Bottom	1/4" Back	1/4" Bottom	1/4" Back
Socket, Tube	Brass		SS	
3/15 psi/0-100%	PRC5081REC	PRC5281REC	PRC5041REC	PRC5341REC
3/27 psi/0-100%	PRC5082REC	PRC5283REC	PRC5042REC	PRC5342REC