

### Description & Features:

- StabiliZR™ dampened movement minimizes effects of pulsation and vibration as effectively as liquid filled gauges
- Restricted orifice standard on dual scale (included but not installed on single scale)
- Crimp-on bezel
- Brass internals
- Dual scale (psi/kPa)
- U-Clamps and front flanges for panel mounting
- ASME B40.100 compliant (EN837-1 available)
- CRN registered
- 5 year warranty

### Applications:

- Ideal for pumps, compressors, hydraulic presses, machinery, pneumatic equipment and motors in harsh environments
- Use where harmful vibration and pulsation are present

### Specifications

Specifications	
Dial	2.5" (63mm) aluminum with red and black markings
Case	304 SS (dry)
Lens	Polycarbonate
Ring	304 SS (crimped on)
Socket	Brass
Connection	1/4" NPT
Bourdon Tube	Bronze
Movement	Bronze with StabiliZR™ dampened movement (silicone in sealed chamber)
Pointer	Anodized black aluminum
Over-pressure Limit	25% for pressures up to 1,450 psi (9,998 kPa), 15% for pressures over 1,450 psi (9,998 kPa)
Socket Gasket	Buna N for two-piece internal socket seal
Fill Plug	Buna N
Lens Ring Gasket	Silicone rubber
Working Pressure	75% of full scale value
Ambient/Process Temperature	-40°F to 200°F (-40°C to 93°C)
Accuracy	±1.5% of full scale value
Enclosure Rating	IP65

### Single Scale Order Codes (products in bold are normally stock in North America)

Dial Size	2.5" (63mm)	
	1/4" Bottom	1/4" Back (CB)
30" Hg Vac	PFQ801ZRR1	PFQ900ZRR1
30"/0/15 psi	PFQ790ZRR1	PFQ890ZRR1
30"/0/30 psi	PFQ798ZRR1	PFQ898ZRR1
30"/0/60 psi	PFQ799ZRR1	PFQ899ZRR1
30"/0/100 psi	PFQ791ZRR1	PFQ891ZRR1
30"/0/160 psi	PFQ792ZRR1	PFQ892ZRR1
30"/0/200 psi	PFQ794ZRR1	PFQ894ZRR1
30"/0/300 psi	PFQ795ZRR1	PFQ895ZRR1
0/15 psi	PFQ800ZRR1	PFQ901ZRR1
0/30 psi	PFQ802ZRR1	PFQ902ZRR1
0/60 psi	PFQ803ZRR1	PFQ903ZRR1
0/100 psi	PFQ804ZRR1	PFQ904ZRR1
0/160 psi	PFQ805ZRR1	PFQ905ZRR1
0/200 psi	PFQ806ZRR1	PFQ906ZRR1
0/300 psi	PFQ807ZRR1	PFQ907ZRR1
0/400 psi	PFQ817ZRR1	PFQ917ZRR1
0/600 psi	PFQ808ZRR1	PFQ908ZRR1
0/1,000 psi	PFQ809ZRR1	PFQ909ZRR1
0/1,500 psi	PFQ816ZRR1	PFQ914ZRR1
0/2,000 psi	PFQ810ZRR1	PFQ910ZRR1
0/3,000 psi	PFQ811ZRR1	PFQ911ZRR1
0/5,000 psi	PFQ812ZRR1	PFQ912ZRR1
0/6,000 psi	PFQ814ZRR1	PFQ915ZRR1
0/7,500 psi	PFQ818ZRR1	PFQ918ZRR1
0/10,000 psi	PFQ813ZRR1	PFQ913ZRR1

### Dual Scale Order Codes

Dial Size	2.5" (63mm)	
	1/4" Bottom	1/4" Back (CB)
30" Hg Vac/kPa	<b>PFQ801ZR</b>	PFQ900ZR
30"/0/15 psi/kPa	PFQ790ZR	PFQ890ZR
30"/0/30 psi/kPa	PFQ798ZR	PFQ898ZR
30"/0/60 psi/kPa	PFQ799ZR	PFQ899ZR
30"/0/100 psi/kPa	PFQ791ZR	PFQ891ZR
30"/0/160 psi/kPa	PFQ792ZR	PFQ892ZR
30"/0/200 psi/kPa	PFQ794ZR	PFQ894ZR
30"/0/300 psi/kPa	PFQ795ZR	PFQ895ZR
0/15 psi/kPa	PFQ800ZR	<b>PFQ901ZR</b>
0/30 psi/kPa	PFQ802ZR	PFQ902ZR
0/60 psi/kPa	<b>PFQ803ZR</b>	<b>PFQ903ZR</b>
0/100 psi/kPa	<b>PFQ804ZR</b>	<b>PFQ904ZR</b>
0/160 psi/kPa	<b>PFQ805ZR</b>	<b>PFQ905ZR</b>
0/200 psi/kPa	<b>PFQ806ZR</b>	<b>PFQ906ZR</b>
0/300 psi/kPa	<b>PFQ807ZR</b>	<b>PFQ907ZR</b>
0/400 psi/kPa	PFQ817ZR	PFQ917ZR
0/600 psi/kPa	PFQ808ZR	PFQ908ZR
0/1,000 psi/kPa	<b>PFQ809ZR</b>	<b>PFQ909ZR</b>
0/1,500 psi/kPa	PFQ816ZR	PFQ914ZR
0/2,000 psi/kPa	<b>PFQ810ZR</b>	<b>PFQ910ZR</b>
0/3,000 psi/kPa	PFQ811ZR	PFQ911ZR
0/5,000 psi/kPa	<b>PFQ812ZR</b>	<b>PFQ912ZR</b>
0/6,000 psi/kPa	PFQ814ZR	PFQ915ZR
0/7,500 psi/kPa	PFQ818ZR	PFQ918ZR
0/10,000 psi/kPa	PFQ813ZR	PFQ913ZR

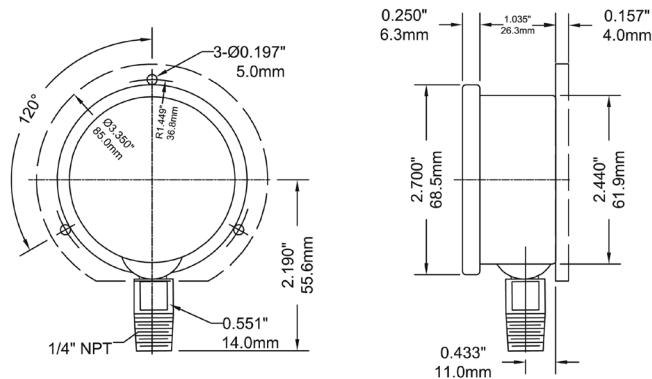
Note: Restrictor screws are not standard on single scale gauges

Other ranges and connection sizes available upon request. For scale change, refer to How to Order Guide for scale codes. For options, attach suffix to end of order code: i.e. PFQ807ZR-25BF for BACK FLANGE.

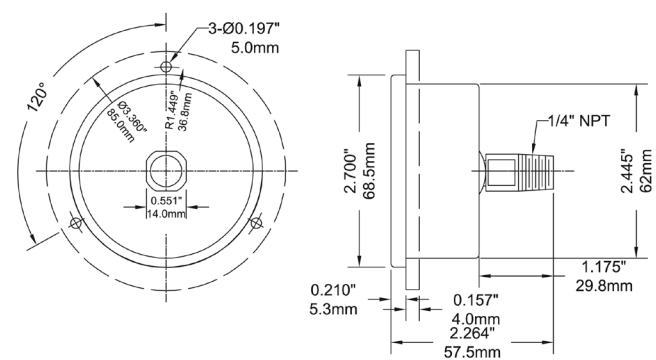
#### Option suffix:

- 25BF = 2.5" (63mm) Back flange
- 25BOOT = 2.5" (63mm) Black rubber boot
- 25FF = 2.5" (63mm) Front flange
- 25UC = 2.5" (63mm) U-Clamp
- EN = EN837-1 compliant
- REST = Restrictor screw

### 2.5" Bottom Connection with Back Flange



### 2.5" Back Connection with Front Flange



### Single Scale Order Codes

Dial Size	4" (100mm)			
	1/4" Bottom	1/4" Back (CB)	1/2" Bottom	1/2" Back (CB)
30" Hg Vac	PFQ700ZRR1	PFQ730ZRR1	PFQ1234ZRR1	PFQ1285ZRR1
30"/0/15 psi	PFQ701ZRR1	PFQ731ZRR1	PFQ1235ZRR1	PFQ1286ZRR1
30"/0/30 psi	PFQ702ZRR1	PFQ732ZRR1	PFQ1236ZRR1	PFQ1287ZRR1
30"/0/60 psi	PFQ703ZRR1	PFQ733ZRR1	PFQ1237ZRR1	PFQ1288ZRR1
30"/0/100 psi	PFQ704ZRR1	PFQ734ZRR1	PFQ1238ZRR1	PFQ1289ZRR1
30"/0/160 psi	PFQ705ZRR1	PFQ735ZRR1	PFQ1239ZRR1	PFQ1290ZRR1
30"/0/200 psi	PFQ706ZRR1	PFQ736ZRR1	PFQ1240ZRR1	PFQ1291ZRR1
30"/0/300 psi	PFQ707ZRR1	PFQ737ZRR1	PFQ1241ZRR1	PFQ1292ZRR1
0/15 psi	PFQ708ZRR1	PFQ738ZRR1	PFQ1242ZRR1	PFQ1293ZRR1
0/30 psi	PFQ709ZRR1	PFQ739ZRR1	PFQ1243ZRR1	PFQ1294ZRR1
0/60 psi	PFQ710ZRR1	PFQ740ZRR1	PFQ1244ZRR1	PFQ1295ZRR1
0/100 psi	PFQ711ZRR1	PFQ741ZRR1	PFQ1245ZRR1	PFQ1296ZRR1
0/160 psi	PFQ712ZRR1	PFQ742ZRR1	PFQ1246ZRR1	PFQ1298ZRR1
0/200 psi	PFQ713ZRR1	PFQ743ZRR1	PFQ1247ZRR1	PFQ1524ZRR1
0/300 psi	PFQ714ZRR1	PFQ744ZRR1	PFQ1248ZRR1	PFQ1525ZRR1
0/400 psi	PFQ715ZRR1	PFQ745ZRR1	PFQ1249ZRR1	PFQ1526ZRR1
0/600 psi	PFQ716ZRR1	PFQ746ZRR1	PFQ1250ZRR1	PFQ1527ZRR1
0/1,000 psi	PFQ724ZRR1	PFQ192ZRR1	PFQ717ZRR1	PFQ747ZRR1
0/1,500 psi	PFQ725ZRR1	PFQ241ZRR1	PFQ718ZRR1	PFQ748ZRR1
0/2,000 psi	PFQ726ZRR1	PFQ242ZRR1	PFQ719ZRR1	PFQ749ZRR1
0/3,000 psi	PFQ727ZRR1	PFQ243ZRR1	PFQ720ZRR1	PFQ750ZRR1
0/5,000 psi	PFQ728ZRR1	PFQ244ZRR1	PFQ721ZRR1	PFQ751ZRR1
0/6,000 psi	PFQ346ZRR1	PFQ246ZRR1	PFQ784ZRR1	PFQ785ZRR1
0/7,500 psi	PFQ347ZRR1	PFQ247ZRR1	PFQ786ZRR1	PFQ886ZRR1
0/10,000 psi	PFQ729ZRR1	PFQ360ZRR1	PFQ722ZRR1	PFQ752ZRR1
0/15,000 psi	PFQ261ZRR1	PFQ361ZRR1	PFQ723ZRR1	PFQ753ZRR1

### Dual Scale Order Codes

Dial Size	4" (100mm)			
	1/4" Bottom	1/4" Back (CB)	1/2" Bottom	1/2" Back (CB)
30" Hg Vac/kPa	<b>PFQ700ZR</b>	PFQ730ZR	PFQ1234ZR	PFQ1285ZR
30"/0/15 psi/kPa	PFQ701ZR	PFQ731ZR	PFQ1235ZR	PFQ1286ZR
30"/0/30 psi/kPa	PFQ702ZR	PFQ732ZR	PFQ1236ZR	PFQ1287ZR
30"/0/60 psi/kPa	PFQ703ZR	PFQ733ZR	PFQ1237ZR	PFQ1288ZR
30"/0/100 psi/kPa	PFQ704ZR	PFQ734ZR	PFQ1238ZR	PFQ1289ZR
30"/0/160 psi/kPa	PFQ705ZR	PFQ735ZR	PFQ1239ZR	PFQ1290ZR
30"/0/200 psi/kPa	PFQ706ZR	PFQ736ZR	PFQ1240ZR	PFQ1291ZR
30"/0/300 psi/kPa	PFQ707ZR	PFQ737ZR	PFQ1241ZR	PFQ1292ZR
0/15 psi/kPa	PFQ708ZR	PFQ738ZR	PFQ1242ZR	PFQ1293ZR
0/30 psi/kPa	PFQ709ZR	PFQ739ZR	PFQ1243ZR	PFQ1294ZR
0/60 psi/kPa	<b>PFQ710ZR</b>	PFQ740ZR	PFQ1244ZR	PFQ1295ZR
0/100 psi/kPa	<b>PFQ711ZR</b>	PFQ741ZR	PFQ1245ZR	PFQ1296ZR
0/160 psi/kPa	<b>PFQ712ZR</b>	PFQ742ZR	PFQ1246ZR	PFQ1298ZR
0/200 psi/kPa	<b>PFQ713ZR</b>	PFQ743ZR	PFQ1247ZR	PFQ1524ZR
0/300 psi/kPa	<b>PFQ714ZR</b>	PFQ744ZR	PFQ1248ZR	PFQ1525ZR
0/400 psi/kPa	PFQ715ZR	PFQ745ZR	PFQ1249ZR	PFQ1526ZR
0/600 psi/kPa	PFQ716ZR	PFQ746ZR	PFQ1250ZR	PFQ1527ZR
0/1,000 psi/kPa	PFQ724ZR	PFQ192ZR	PFQ717ZR	PFQ747ZR
0/1,500 psi/kPa	PFQ725ZR	PFQ241ZR	PFQ718ZR	PFQ748ZR
0/2,000 psi/kPa	PFQ726ZR	PFQ242ZR	PFQ719ZR	PFQ749ZR
0/3,000 psi/kPa	PFQ727ZR	PFQ243ZR	PFQ720ZR	PFQ750ZR
0/5,000 psi/kPa	PFQ728ZR	PFQ244ZR	PFQ721ZR	PFQ751ZR
0/6,000 psi/kPa	PFQ346ZR	PFQ246ZR	PFQ784ZR	PFQ785ZR
0/7,500 psi/kPa	PFQ347ZR	PFQ247ZR	PFQ786ZR	PFQ886ZR
0/10,000 psi/kPa	PFQ729ZR	PFQ360ZR	PFQ722ZR	PFQ752ZR
0/15,000 psi/kPa	PFQ261ZR	PFQ361ZR	PFQ723ZR	PFQ753ZR

Note: Restrictor screws are not standard on single scale gauges

Other ranges and connection sizes available upon request. For scale change, refer to How to Order Guide for scale codes.

**For options, attach suffix to end of order code: i.e. PFQ709ZR-4BF for BACK FLANGE.**

**Option suffix:**

- 4BF = 4" (100mm) Back flange
- 4FF = 4" (100mm) Front flange
- 4UC-Q = 4" (100mm) U-Clamp (for brass movement)
- EN = EN837-1 compliant
- REST = Restrictor screw