



Description & Features:

- Liquid filled stainless steel case protects against extreme vibration and pulsation
- Lower back mount with front flange for panel mounting
- Bayonet ring
- Dual and single scale available (psi/kPa & psi only)
- Stainless steel wetted parts
- Restricted orifice standard on dual scale (optional on single scale)
- Safety glass
- ASME B40.100 compliant (EN837-1 available)
- CRN registered
- 5 year warranty

Applications:

- Outdoor and severe ambient and process conditions
- Use where harmful vibration and pulsation are present
- Panel builders in hydraulic equipment, oil field equipment, pumps, compressors and process industries

| Specifications | |
|----------------------------|--|
| Dial | 2.5" (63mm) white aluminum with black and red markings |
| Case | AISI 304 SS |
| Lens | Safety glass |
| Ring | AISI 304 SS |
| Socket | 316L SS welded one-piece socket |
| Connection | 1/4" NPT |
| Bourdon Tube | 316L SS, drawn seamless |
| Movement | 304 SS |
| Pointer | Aluminum, anodized black |
| Welding | Laser welded socket to case |
| Fill Liquid | Glycerin |
| Over-pressure Limit | 25% for pressures up to 1,450 psi (9,998 kPa), 15% for pressures over 1,450 psi (9,998 kPa) |
| Fill Plug | Buna N (silicone rubber option) |
| Lens Ring Gasket | Buna N (silicone rubber option) |
| Working Pressure | Maximum 75% of full scale value |
| Ambient Temperature | Dry: -40°F to 250°F (-40°C to 120°C) Glycerin Filled: -4°F to 150°F (-20°C to 65°C) |
| Process Temperature | -40°F to 250°F (-40°C to 120°C) |
| Accuracy | ±1.5% of full scale value |
| Enclosure Rating | NEMA 4X/IP66, EN60529-1 (IEC529-1) |

Single Scale Order Codes (products in bold are normally stock in North America)

| Dial Size | 2.5" (63mm) |
|------------------------|------------------|
| Connection | 1/4" Back (LBM) |
| Movement, Socket, Tube | SS |
| 30" Hg Vac | PFP3772R1 |
| 30"/0/15 psi | PFP3773R1 |
| 30"/0/30 psi | PFP3774R1 |
| 30"/0/60 psi | PFP3775R1 |
| 30"/0/100 psi | PFP3776R1 |
| 30"/0/150 psi | PFP3777R1 |
| 30"/0/200 psi | PFP3778R1 |
| 30"/0/300 psi | PFP3779R1 |
| 0/15 psi | PFP3780R1 |
| 0/30 psi | PFP3781R1 |
| 0/60 psi | PFP3782R1 |
| 0/100 psi | PFP3783R1 |
| 0/160 psi | PFP3784R1 |
| 0/200 psi | PFP3785R1 |
| 0/300 psi | PFP3786R1 |
| 0/400 psi | PFP3787R1 |
| 0/600 psi | PFP3788R1 |
| 0/1,000 psi | PFP3789R1 |
| 0/1,500 psi | PFP3790R1 |
| 0/2,000 psi | PFP3791R1 |
| 0/3,000 psi | PFP3792R1 |
| 0/5,000 psi | PFP3793R1 |
| 0/6,000 psi | PFP3794R1 |
| 0/7,500 psi | PFP3795R1 |
| 0/10,000 psi | PFP3796R1 |
| 0/15,000 psi | PFP3797R1 |
| 0/20,000 psi | PFP3798R1 |

Dual Scale Order Codes

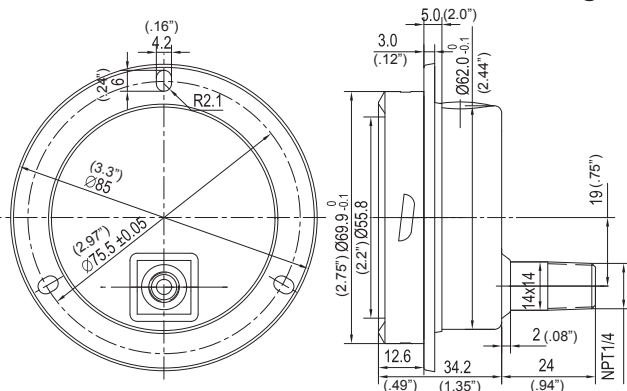
| Dial Size | 2.5" (63mm) |
|------------------------|-----------------|
| Connection | 1/4" Back (LBM) |
| Movement, Socket, Tube | SS |
| 30" Hg Vac/kPa | PFP3772 |
| 30"/0/15 psi/kPa | PFP3773 |
| 30"/0/30 psi/kPa | PFP3774 |
| 30"/0/60 psi/kPa | PFP3775 |
| 30"/0/100 psi/kPa | PFP3776 |
| 30"/0/150 psi/kPa | PFP3777 |
| 30"/0/200 psi/kPa | PFP3778 |
| 30"/0/300 psi/kPa | PFP3779 |
| 0/15 psi/kPa | PFP3780 |
| 0/30 psi/kPa | PFP3781 |
| 0/60 psi/kPa | PFP3782 |
| 0/100 psi/kPa | PFP3783 |
| 0/160 psi/kPa | PFP3784 |
| 0/200 psi/kPa | PFP3785 |
| 0/300 psi/kPa | PFP3786 |
| 0/400 psi/kPa | PFP3787 |
| 0/600 psi/kPa | PFP3788 |
| 0/1,000 psi/kPa | PFP3789 |
| 0/1,500 psi/kPa | PFP3790 |
| 0/2,000 psi/kPa | PFP3791 |
| 0/3,000 psi/kPa | PFP3792 |
| 0/5,000 psi/kPa | PFP3793 |
| 0/6,000 psi/kPa | PFP3794 |
| 0/7,500 psi/kPa | PFP3795 |
| 0/10,000 psi/kPa | PFP3796 |
| 0/15,000 psi/kPa | PFP3797 |
| 0/20,000 psi/kPa | PFP3798 |

Other ranges and connection sizes available upon request. For scale change, refer to How to Order Guide for scale codes.

Option suffix:

- 25DRY = Supply 2.5" (63mm) gauge dry
- EN = EN837-1 compliant
- GID = Glow-in-the-dark dial
- REST = Restrictor screw (psi only)
- SF25 = 2.5" (63mm) Silicone filled

2.5" Lower Back Connection with Front Flange



Dimensions in mm (inches)