

Description & Features:

- StabilizR™ dampened movement minimizes effects of pulsation and vibration as effectively as liquid filled gauges
- Restrictor screw standard on dual scale (optional on single scale)
- Stainless steel case
- Under and overload stops (4" and 6")
- Back, bottom or panel mounted
- 316L SS wetted parts
- ASME B40.100 compliant (EN837-1 available)
- CRN registered
- 5 year warranty

Applications:

- Outdoor and severe ambient and process conditions
- Use where harmful vibration and pulsation are present
- Hydraulic equipment, oil field equipment, pumps, compressors and process industries

Specifications

Dial	2.5" (63mm), 4" (100mm), 6" (150mm) white aluminum with black and red markings
Case	AISI 304 SS (dry)
Lens	Polycarbonate
Ring	AISI 304 SS bayonet
Socket	316L SS
Connection	2.5" (63mm): 1/4" NPT 4" (100mm), 6" (150mm): 1/4", 1/2" NPT
Bourdon Tube	316L SS
Movement	304 SS, (under and overload stops 4" and 6") and StabilizR™ dampened movement (silicone in sealed chamber)
Pointer	2.5" (63mm): Aluminum, anodized black 4" (100mm), 6" (150mm): Aluminum, anodized black, micrometer adjustable
Welding	Laser welded socket to case
Over-pressure Limit	25% for pressures up to 1,450 psi (9,998 kPa), 15% for pressures over 1,450 psi (9,998 kPa)
Lens Ring Gasket	Buna N
Ambient Temperature	-40°F to 250°F (-40°C to 120°C)
Process Temperature	-40°F to 250°F (-40°C to 120°C)
Working Pressure	Maximum 75% of full scale value
Accuracy	2.5" (63mm): ±1.5% of full scale value 4" (100mm), 6" (150mm): ±1% ANSI/ASME Grade 1A
Enclosure Rating	NEMA 4X/IP66, EN60529-1 (IEC529-1)

Single Scale Order Codes (products in bold are normally stock in North America) (products in italics are normally available in 3-5 days)

Dial Size Connection	2.5" (63mm)		4" (100mm)				6" (150mm)	
	1/4" Bottom	1/4" Back (CB)	1/4" Bottom	1/4" Back (LB)	1/2" Bottom	1/2" Back (LB)	1/4" Bottom	1/2" Bottom
30" Hg Vac	PFP820ZRR1	PFP840ZRR1	PFP640ZRR1	PFP1090ZRR1	PFP655ZRR1	-	PFP1078ZRR1	PFP2326ZRR1
30"/0/15 psi	PFP860ZRR1	PFP870ZRR1	PFP1036ZRR1	PFP1244ZRR1	PFP1044ZRR1	-	PFP1079ZRR1	PFP2327ZRR1
30"/0/30 psi	PFP861ZRR1	PFP871ZRR1	PFP1037ZRR1	PFP1245ZRR1	PFP1045ZRR1	-	PFP1052ZRR1	PFP2328ZRR1
30"/0/60 psi	PFP862ZRR1	PFP872ZRR1	PFP1038ZRR1	PFP1246ZRR1	PFP1046ZRR1	-	PFP1053ZRR1	PFP2329ZRR1
30"/0/100 psi	PFP863ZRR1	PFP873ZRR1	PFP1039ZRR1	PFP1247ZRR1	PFP1047ZRR1	-	PFP1054ZRR1	PFP2330ZRR1
30"/0/150 psi	PFP864ZRR1	PFP874ZRR1	PFP1040ZRR1	PFP1248ZRR1	PFP1048ZRR1	-	PFP1055ZRR1	PFP2331ZRR1
30"/0/200 psi	PFP866ZRR1	PFP876ZRR1	PFP1042ZRR1	PFP1249ZRR1	PFP1050ZRR1	-	PFP1057ZRR1	PFP2332ZRR1
30"/0/300 psi	PFP867ZRR1	PFP877ZRR1	PFP1043ZRR1	PFP1250ZRR1	PFP1051ZRR1	-	PFP1058ZRR1	PFP2333ZRR1
0/15 psi	PFP821ZRR1	PFP921ZRR1	PFP641ZRR1	PFP1091ZRR1	PFP656ZRR1	-	PFP1059ZRR1	PFP2334ZRR1
0/30 psi	PFP822ZRR1	PFP922ZRR1	PFP642ZRR1	PFP1092ZRR1	PFP657ZRR1	-	PFP1060ZRR1	PFP2335ZRR1
0/60 psi	PFP823ZRR1	PFP923ZRR1	PFP643ZRR1	PFP1093ZRR1	PFP658ZRR1	-	PFP1061ZRR1	PFP2336ZRR1
0/100 psi	PFP824ZRR1	PFP924ZRR1	PFP644ZRR1	PFP1094ZRR1	<i>PFP659ZRR1</i>	-	PFP1062ZRR1	PFP2337ZRR1
0/160 psi	PFP825ZRR1	PFP925ZRR1	<i>PFP645ZRR1</i>	PFP1095ZRR1	<i>PFP660ZRR1</i>	-	PFP1063ZRR1	PFP2338ZRR1
0/200 psi	PFP826ZRR1	PFP926ZRR1	PFP646ZRR1	PFP1096ZRR1	<i>PFP661ZRR1</i>	-	PFP1064ZRR1	PFP2339ZRR1
0/300 psi	PFP827ZRR1	PFP927ZRR1	PFP647ZRR1	PFP1097ZRR1	<i>PFP662ZRR1</i>	-	PFP1065ZRR1	PFP2340ZRR1
0/400 psi	PFP880ZRR1	PFP881ZRR1	PFP650ZRR1	PFP1251ZRR1	PFP666ZRR1	-	PFP1077ZRR1	PFP2341ZRR1
0/600 psi	PFP828ZRR1	PFP928ZRR1	PFP648ZRR1	PFP1098ZRR1	<i>PFP663ZRR1</i>	-	PFP1066ZRR1	PFP2342ZRR1
0/1,000 psi	PFP829ZRR1	PFP929ZRR1	PFP649ZRR1	PFP1099ZRR1	<i>PFP664ZRR1</i>	-	PFP1067ZRR1	PFP1080ZRR1
0/1,500 psi	PFP834ZRR1	PFP934ZRR1	-	PFP1252ZRR1	PFP665ZRR1	PFP1190ZRR1	PFP1068ZRR1	PFP1081ZRR1
0/2,000 psi	PFP830ZRR1	PFP930ZRR1	-	PFP1253ZRR1	PFP667ZRR1	PFP1191ZRR1	PFP1069ZRR1	PFP1082ZRR1
0/3,000 psi	PFP831ZRR1	PFP931ZRR1	-	PFP1254ZRR1	PFP668ZRR1	PFP1192ZRR1	PFP1070ZRR1	PFP1083ZRR1
0/5,000 psi	PFP832ZRR1	PFP852ZRR1	-	PFP1255ZRR1	PFP669ZRR1	PFP1193ZRR1	PFP1072ZRR1	PFP1085ZRR1
0/6,000 psi	PFP836ZRR1	PFP851ZRR1	-	PFP1259ZRR1	PFP675ZRR1	PFP1197ZRR1	-	PFP1089ZRR1
0/10,000 psi	PFP833ZRR1	PFP853ZRR1	-	PFP1256ZRR1	PFP670ZRR1	PFP1194ZRR1	PFP1073ZRR1	PFP1086ZRR1
0/15,000 psi	PFP835ZRR1	PFP855ZRR1	-	PFP1257ZRR1	PFP671ZRR1	PFP1195ZRR1	PFP1074ZRR1	PFP1087ZRR1
0/20,000 psi	PFP837ZRR1	-	-	PFP1258ZRR1	PFP672ZRR1	PFP1196ZRR1	PFP1075ZRR1	PFP1088ZRR1

Note: Restrictor screws are not standard on single scale gauges

Other ranges and connection sizes available upon request. For scale change, refer to How to Order Guide for scale codes. **For options, attach suffix to end of order code: i.e. PFP660ZRR1-4FF for FRONT FLANGE.**

Option suffix:

25BF = 2.5" (63mm) Back flange	6SS = 6" (150mm) SS case
25BOOT = 2.5" (63mm) Black rubber boot	EN = EN837-1 compliant
25FF = 2.5" (63mm) Front flange	MAXI25 = 2.5" (63mm) Maximum adjustable pointer
25SS = 2.5" (63mm) 316 SS case	REST = Restrictor screw
25UC = 2.5" (63mm) U-Clamp	RSP4 = 4" (100mm) Red set pointer
4BF = 4" (100mm) Back flange	RSP6 = 6" (150mm) Red set pointer
4FF = 4" (100mm) Front flange	SG25 = 2.5" (63mm) Safety glass lens
4SS = 4" (100mm) SS case	SG-4 = 4" (100mm) Safety glass lens
4UC-P = 4" (100mm) U-Clamp premium	SG-6 = 6" (150mm) Safety glass lens
6BF = 6" (150mm) Back flange	

For Win**BRIGHT** dial options refer to Custom Dials

Dual Scale Order Codes (products in bold are normally stock in North America)
(products in italics are normally available in 3 - 5 days)

Dial Size	2.5" (63mm)		4" (100mm)				6" (150mm)	
	1/4" Bottom	1/4" Back (CB)	1/4" Bottom	1/4" Back (LB)	1/2" Bottom	1/2" Back (LB)	1/4" Bottom	1/2" Bottom
30" Hg Vac/kPa	PFP820ZR	PFP840ZR	PFP640ZR	PFP1090ZR	PFP655ZR	PFP2308ZR	PFP1078ZR	PFP2326ZR
30"/0/15 psi/kPa	PFP860ZR	PFP870ZR	PFP1036ZR	PFP1244ZR	PFP1044ZR	PFP2309ZR	PFP1079ZR	PFP2327ZR
30"/0/30 psi/kPa	PFP861ZR	PFP871ZR	PFP1037ZR	PFP1245ZR	PFP1045ZR	PFP2310ZR	PFP1052ZR	PFP2328ZR
30"/0/60 psi/kPa	PFP862ZR	PFP872ZR	<i>PFP1038ZR</i>	PFP1246ZR	PFP1046ZR	PFP2311ZR	PFP1053ZR	PFP2329ZR
30"/0/100 psi/kPa	PFP863ZR	PFP873ZR	PFP1039ZR	PFP1247ZR	PFP1047ZR	PFP2312ZR	PFP1054ZR	PFP2330ZR
30"/0/150 psi/kPa	PFP864ZR	PFP874ZR	PFP1040ZR	PFP1248ZR	PFP1048ZR	PFP2313ZR	PFP1055ZR	PFP2331ZR
30"/0/200 psi/kPa	PFP866ZR	PFP876ZR	PFP1042ZR	PFP1249ZR	PFP1050ZR	PFP2314ZR	PFP1057ZR	PFP2332ZR
30"/0/300 psi/kPa	PFP867ZR	PFP877ZR	PFP1043ZR	PFP1250ZR	PFP1051ZR	PFP2315ZR	PFP1058ZR	PFP2333ZR
0/15 psi/kPa	PFP821ZR	PFP921ZR	PFP641ZR	PFP1091ZR	PFP656ZR	PFP2316ZR	PFP1059ZR	PFP2334ZR
0/30 psi/kPa	PFP822ZR	PFP922ZR	<i>PFP642ZR</i>	PFP1092ZR	PFP657ZR	PFP2317ZR	PFP1060ZR	PFP2335ZR
0/60 psi/kPa	PFP823ZR	PFP923ZR	PFP643ZR	PFP1093ZR	<i>PFP658ZR</i>	PFP2318ZR	PFP1061ZR	PFP2336ZR
0/100 psi/kPa	PFP824ZR	PFP924ZR	PFP644ZR	PFP1094ZR	<i>PFP659ZR</i>	PFP2319ZR	PFP1062ZR	PFP2337ZR
0/160 psi/kPa	PFP825ZR	PFP925ZR	PFP645ZR	PFP1095ZR	<i>PFP660ZR</i>	PFP2320ZR	PFP1063ZR	PFP2338ZR
0/200 psi/kPa	PFP826ZR	PFP926ZR	PFP646ZR	PFP1096ZR	<i>PFP661ZR</i>	PFP2321ZR	PFP1064ZR	PFP2339ZR
0/300 psi/kPa	PFP827ZR	PFP927ZR	PFP647ZR	PFP1097ZR	<i>PFP662ZR</i>	PFP2322ZR	PFP1065ZR	PFP2340ZR
0/400 psi/kPa	PFP880ZR	PFP881ZR	<i>PFP650ZR</i>	PFP1251ZR	<i>PFP666ZR</i>	PFP2323ZR	PFP1077ZR	PFP2341ZR
0/600 psi/kPa	PFP828ZR	PFP928ZR	PFP648ZR	PFP1098ZR	<i>PFP663ZR</i>	PFP2324ZR	PFP1066ZR	PFP2342ZR
0/1,000 psi/kPa	PFP829ZR	PFP929ZR	PFP649ZR	PFP1099ZR	<i>PFP664ZR</i>	PFP2325ZR	PFP1067ZR	PFP1080ZR
0/1,500 psi/kPa	PFP834ZR	PFP934ZR	PFP2301ZR	PFP1252ZR	<i>PFP665ZR</i>	PFP1190ZR	PFP1068ZR	PFP1081ZR
0/2,000 psi/kPa	PFP830ZR	PFP930ZR	PFP2302ZR	PFP1253ZR	<i>PFP667ZR</i>	PFP1191ZR	PFP1069ZR	PFP1082ZR
0/3,000 psi/kPa	PFP831ZR	PFP931ZR	PFP2303ZR	PFP1254ZR	<i>PFP668ZR</i>	PFP1192ZR	PFP1070ZR	PFP1083ZR
0/5,000 psi/kPa	PFP832ZR	PFP852ZR	PFP2304ZR	PFP1255ZR	<i>PFP669ZR</i>	PFP1193ZR	PFP1072ZR	PFP1085ZR
0/6,000 psi/kPa	PFP836ZR	PFP851ZR	PFP2305ZR	PFP1259ZR	PFP675ZR	PFP1197ZR	-	PFP1089ZR
0/10,000 psi/kPa	PFP833ZR	PFP853ZR	PFP2306ZR	PFP1256ZR	PFP670ZR	PFP1194ZR	PFP1073ZR	PFP1086ZR
0/15,000 psi/kPa	PFP835ZR	PFP855ZR	PFP2307ZR	PFP1257ZR	PFP671ZR	PFP1195ZR	PFP1074ZR	PFP1087ZR
0/20,000 psi/kPa	PFP837ZR	-	-	PFP1258ZR	<i>PFP672ZR</i>	PFP1196ZR	PFP1075ZR	PFP1088ZR

Other ranges and connection sizes available upon request. For scale change, refer to How to Order Guide for scale codes. **For options, attach suffix to end of order code: i.e. PFP660ZR-4FF for FRONT FLANGE.**

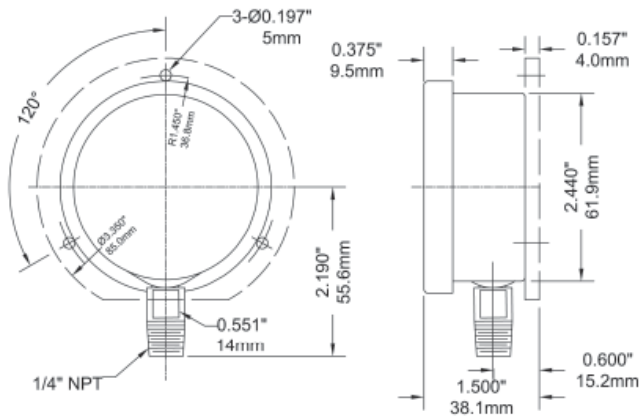
Option suffix:

25BF = 2.5" (63mm) Back flange
 25BOOT = 2.5" (63mm) Black rubber boot
 25FF = 2.5" (63mm) Front flange
 25SS = 2.5" (63mm) 316 SS case
 25UC = 2.5" (63mm) U-Clamp
 4BF = 4" (100mm) Back flange
 4FF = 4" (100mm) Front flange
 4SS = 4" (100mm) SS case
 4UC-P = 4" (100mm) U-Clamp premium
 6BF = 6" (150mm) Back flange

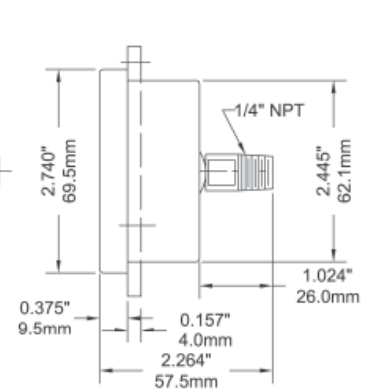
6SS = 6" (150mm) SS case
 EN = EN837-1 compliant
 MAXI25 = 2.5" (63mm) Maximum adjustable pointer
 REST = Restrictor screw
 RSP4 = 4" (100mm) Red set pointer
 RSP6 = 6" (150mm) Red set pointer
 SG25 = 2.5" (63mm) Safety glass lens
 SG-4 = 4" (100mm) Safety glass lens
 SG-6 = 6" (150mm) Safety glass lens

For WinBRIGHT dial options refer to Custom Dials

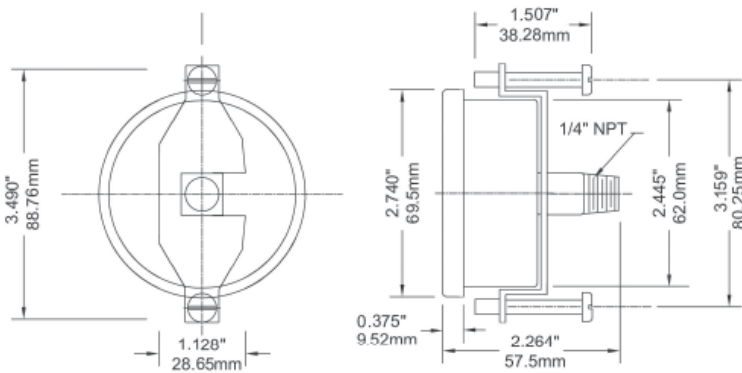
2.5" Bottom Connection with Back Flange



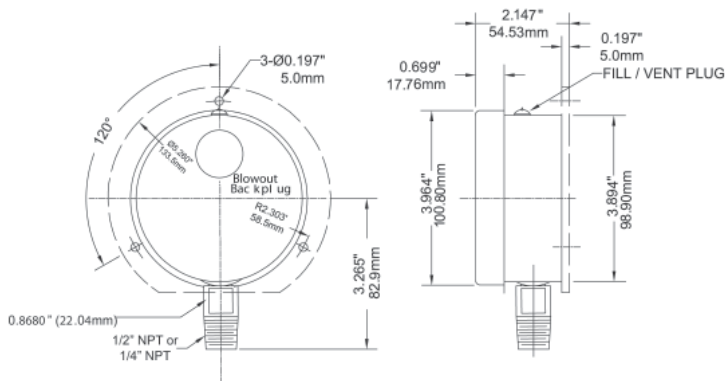
2.5" Back Connection with Front Flange



2.5" Back Connection with U-Clamp



4" Bottom Connection with Back Flange



4" Lower Back Connection with Front Flange

