



Description & Features:

- Robust construction resistant to extreme vibration and pulsation
- Universal fill compatibility for flexibility of filling with glycerin or silicone
- All brass internals
- Engineered restricted orifice available to protect against additional pressure spikes
- Polished crimp-on bezel
- Ventable fill plug for easy venting of case pressure
- Single (psi) or dual scale (psi/kPa)/(psi/bar) available
- Optional U-Clamps, front and back flanges
- ASME B40.100 compliant (EN837-1 compliant)
- CRN registered
- 5 year warranty

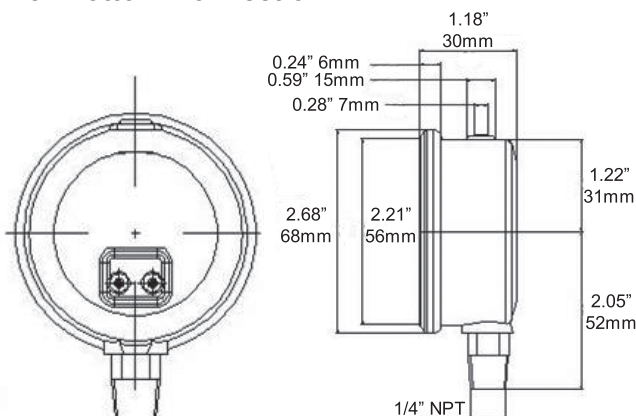
Applications:

- Ideal for pumps, compressors, hydraulic presses, power packs and pneumatic equipment in industrial environments with extreme vibration and pulsation

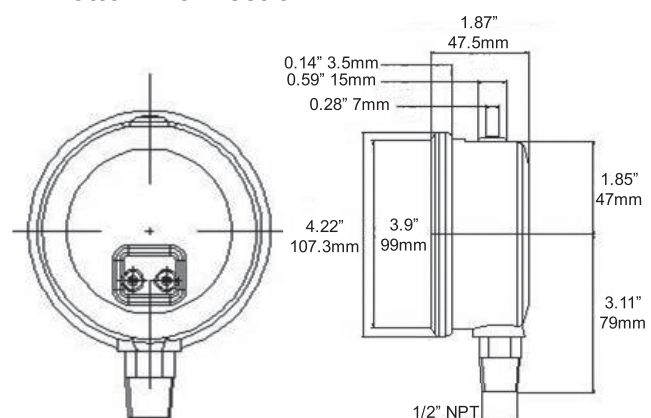
Specifications

Dial	2.5" (63mm), 4" (100mm) white aluminum with black and red markings
Case	AISI 304 SS
Lens	Polycarbonate
Ring	AISI 304 SS, crimp-on
Socket	OT 58 brass
Connection	1/4" or 1/2" NPT with restricted orifice (standard on dual scale, optional on psi only scale)
Fill Liquid	Glycerin standard (silicone and dry case optional)
Bourdon Tube	Phosphor bronze C or coil shaped socket
Movement	OT 59 brass
Pointer	Aluminum, anodized black
Welding	Silver alloy
Over-pressure Limit	25% for pressures up to 1,450 psi (9,998 kPa), 15% for pressures over 1,450 psi (9,998 kPa)
Socket Gasket	Buna N
Fill Plug	Buna N, ventable with brass plunger
Lens Ring Gasket	Buna N
Working Pressure	Maximum 75% of full scale value
Ambient/Process Temperature	Dry: -40°F to 200°F (-40°C to 93°C) Glycerin Filled: -4°F to 150°F (-20°C to 65°C)
Accuracy	±1.5% of full scale value
Enclosure Rating	IP65

2.5" Bottom Connection



4" Bottom Connection



Single Scale Order Codes

Dial Size	2.5" (63mm)		4" (100mm)			
	1/4" Btm	1/4" Bck (CB)	1/4" Btm	1/4" Bck (CB)	1/2" Btm	1/2" Bck (CB)
Movement, Socket, Tube	Brass					
30" Hg Vac	PFH801R1	PFH900R1	PFH700R1	PFH730R1	PFH1234R1	PFH1285R1
30"/0/15 psi	PFH790R1	PFH890R1	PFH701R1	PFH731R1	PFH1235R1	PFH1286R1
30"/0/30 psi	PFH798R1	PFH898R1	PFH702R1	PFH732R1	PFH1236R1	PFH1287R1
30"/0/60 psi	PFH799R1	PFH899R1	PFH703R1	PFH733R1	PFH1237R1	PFH1288R1
30"/0/100 psi	PFH791R1	PFH891R1	PFH704R1	PFH734R1	PFH1238R1	PFH1289R1
30"/0/160 psi	PFH792R1	PFH892R1	PFH705R1	PFH735R1	PFH1239R1	PFH1290R1
30"/0/200 psi	PFH794R1	PFH894R1	PFH706R1	PFH736R1	PFH1240R1	PFH1291R1
30"/0/300 psi	PFH795R1	PFH895R1	PFH707R1	PFH737R1	PFH1241R1	PFH1292R1
0/15 psi	PFH800R1	PFH901R1	PFH708R1	PFH738R1	PFH1242R1	PFH1293R1
0/30 psi	PFH802R1	PFH902R1	PFH709R1	PFH739R1	PFH1243R1	PFH1294R1
0/60 psi	PFH803R1	PFH903R1	PFH710R1	PFH740R1	PFH1244R1	PFH1295R1
0/100 psi	PFH804R1	PFH904R1	PFH711R1	PFH741R1	PFH1245R1	PFH1296R1
0/160 psi	PFH805R1	PFH905R1	PFH712R1	PFH742R1	PFH1246R1	PFH1298R1
0/200 psi	PFH806R1	PFH906R1	PFH713R1	PFH743R1	PFH1247R1	PFH1524R1
0/300 psi	PFH807R1	PFH907R1	PFH714R1	PFH744R1	PFH1248R1	PFH1525R1
0/400 psi	PFH817R1	PFH917R1	PFH715R1	PFH745R1	PFH1249R1	PFH1526R1
0/600 psi	PFH808R1	PFH908R1	PFH716R1	PFH746R1	PFH1250R1	PFH1527R1
0/1,000 psi	PFH809R1	PFH909R1	PFH724R1	PFH192R1	PFH717R1	PFH747R1
0/1,500 psi	PFH816R1	PFH914R1	PFH725R1	PFH241R1	PFH718R1	PFH748R1
0/2,000 psi	PFH810R1	PFH910R1	PFH726R1	PFH242R1	PFH719R1	PFH749R1
0/3,000 psi	PFH811R1	PFH911R1	PFH727R1	PFH243R1	PFH720R1	PFH750R1
0/4,000 psi	PFH819R1	PFH919R1	-	-	-	-
0/5,000 psi	PFH812R1	PFH912R1	PFH728R1	PFH244R1	PFH721R1	PFH751R1
0/6,000 psi	PFH814R1	PFH915R1	PFH346R1	PFH246R1	PFH784R1	PFH785R1
0/7,500 psi	PFH818R1	PFH918R1	PFH347R1	PFH247R1	PFH786R1	PFH886R1
0/10,000 psi	PFH813R1	PFH913R1	PFH729R1	PFH360R1	PFH722R1	PFH752R1
0/15,000 psi	-	-	PFH261R1	PFH361R1	PFH723R1	PFH753R1

Dual Scale Order Codes

Dial Size	2.5" (63mm)		4" (100mm)			
	1/4" Btm	1/4" Bck (CB)	1/4" Btm	1/4" Bck (CB)	1/2" Btm	1/2" Bck (CB)
Movement, Socket, Tube	Brass					
30" Hg Vac/kPa	PFH801	PFH900	PFH700	PFH730	PFH1234	PFH1285
30"/0/15 psi/kPa	PFH790	PFH890	PFH701	PFH731	PFH1235	PFH1286
30"/0/30 psi/kPa	PFH798	PFH898	PFH702	PFH732	PFH1236	PFH1287
30"/0/60 psi/kPa	PFH799	PFH899	PFH703	PFH733	PFH1237	PFH1288
30"/0/100 psi/kPa	PFH791	PFH891	PFH704	PFH734	PFH1238	PFH1289
30"/0/160 psi/kPa	PFH792	PFH892	PFH705	PFH735	PFH1239	PFH1290
30"/0/200 psi/kPa	PFH794	PFH894	PFH706	PFH736	PFH1240	PFH1291
30"/0/300 psi/kPa	PFH795	PFH895	PFH707	PFH737	PFH1241	PFH1292
0/15 psi/kPa	PFH800	PFH901	PFH708	PFH738	PFH1242	PFH1293
0/30 psi/kPa	PFH802	PFH902	PFH709	PFH739	PFH1243	PFH1294
0/60 psi/kPa	PFH803	PFH903	PFH710	PFH740	PFH1244	PFH1295
0/100 psi/kPa	PFH804	PFH904	PFH711	PFH741	PFH1245	PFH1296
0/160 psi/kPa	PFH805	PFH905	PFH712	PFH742	PFH1246	PFH1298
0/200 psi/kPa	PFH806	PFH906	PFH713	PFH743	PFH1247	PFH1524
0/300 psi/kPa	PFH807	PFH907	PFH714	PFH744	PFH1248	PFH1525
0/400 psi/kPa	PFH817	PFH917	PFH715	PFH745	PFH1249	PFH1526
0/600 psi/kPa	PFH808	PFH908	PFH716	PFH746	PFH1250	PFH1527
0/1,000 psi/kPa	PFH809	PFH909	PFH724	PFH192	PFH717	PFH747
0/1,500 psi/kPa	PFH816	PFH914	PFH725	PFH241	PFH718	PFH748
0/2,000 psi/kPa	PFH810	PFH910	PFH726	PFH242	PFH719	PFH749
0/3,000 psi/kPa	PFH811	PFH911	PFH727	PFH243	PFH720	PFH750
0/4,000 psi/kPa	PFH819	PFH919	-	-	-	-
0/5,000 psi/kPa	PFH812	PFH912	PFH728	PFH244	PFH721	PFH751
0/6,000 psi/kPa	PFH814	PFH915	PFH346	PFH246	PFH784	PFH785
0/7,500 psi/kPa	PFH818	PFH918	PFH347	PFH247		
0/10,000 psi/kPa	PFH813	PFH913	PFH729	PFH360	PFH722	PFH752
0/15,000 psi/kPa	-	-	PFH261	PFH361	PFH723	PFH753

Other ranges and connection sizes available upon request. For scale change, refer to How to Order Guide for scale codes. **For options, attach suffix to end of order code: i.e. PFH806R1-25DRY for DRY CASE**

Option suffix:

- 25BF = 2.5" (63mm) Back flange
- 25BOOT = 2.5" (63mm) Black rubber boot
- 25FF = 2.5" (63mm) Front flange
- 25DRY = Supply 2.5" (63mm) gauge dry
- 25UC = 2.5" (63mm) U-Clamp
- 4BF = 4" (100mm) Back flange
- 4FF = 4" (100mm) Front flange
- 4UC-P = 4" (100mm) U-Clamp premium
- DRY = Supply gauge dry
- EN = EN837-1 compliant
- REST = Restrictor screw
- SF25 = 2.5" (63mm) Silicone filled
- SF4 = 4" (100mm) Silicone filled
- SG-25 = 2.5" (63mm) Safety glass lens
- SG-4 = 4" (100mm) Safety glass lens