



Description & Features:

- Vac to 10,000 psi pressure range
- Explosion proof enclosure
- Rugged stainless steel construction with diffused silicone sensor
- Built in high pressure snubber (2,000 psi and above)
- NEMA 4X, 7 and 9
- $\pm 0.25\%$ accuracy
- cULus approved for hazardous locations
- Single seal ANSI compliant up to 6,000 psi
- CRN registered
- 1 year warranty

Applications:

- Suitable for a variety of hazardous applications where the added security of an explosion proof enclosure is required including petrochemical plants, pipelines, fuel transfer systems and power plants
- Also appropriate for oil & gas, mining and water treatment industries

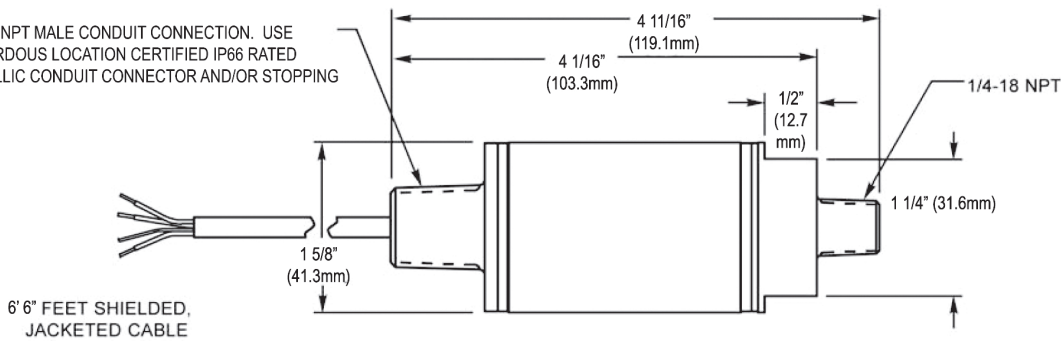
Specifications

Output Signal	Standard 2-wire: 4-20 mA / Vs = 12-28 Vdc Optional 3-wire: 0.5-5.5 Vdc / Vs = 9-28 Vdc 3-wire: 1-11 Vdc / Vs = 14-28 Vdc
Accuracy	$\pm 0.25\%$ BFSL / $\pm 0.5\%$ for vacuum only
Temperature Ranges	Operating: -40°F to 160°F (-40°C to 71°C) Compensating: 30°F to 160°F (-1°C to 71°C) Storage: -40°F to 185°F (-40°C to 85°C)
Temperature Shift	0.0125% per $^{\circ}\text{F}$ over compensated range 75°F (24°C) reference
Vibration	15 g / 10 to 2,000 Hz (MIL-STD-202)
Shock	50 g / 11 ms (MIL-STD-202, M213, Cond. G)
Pressure Connection	1/4" NPTM, 1/2" NPTM optional
Housing	304 SS
Wetted Parts	316 SS diaphragm and 17-4PH SS process connection
Proof Pressure	2 x rated pressure or 13,000 psi max
Current Supply	3 mA maximum (no load)
Protection	EMI, ESD and RFI, reverse polarity protected
Approval	cULus approved as telemetering equipment for use in hazardous locations (UL File E146589, WYMV, WYMV7) as follows: Class I, Div. 1, Groups A, B, C & D Class II, Div. 1, Groups E, F & G CRN registered
Weight	7.4 oz. (210 grams): $\leq 1,000$ psi 9.9 oz. (281 grams): $\geq 2,000$ psi

Order Codes

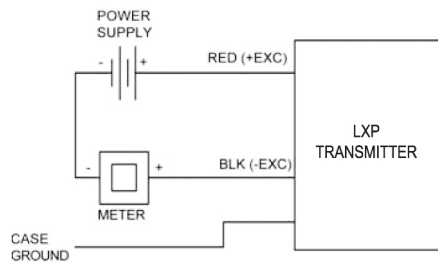
Range	Proof Pressure	Process Connection	
		1/4"	1/2"
30" Hg Vac	30 psi	LXPSV1N4	LXPSV1N2
30"/0/15 psi	30 psi	LXPSV2N4	LXPSV2N2
30"/0/30 psi	60 psi	LXPSV3N4	LXPSV3N2
30"/0/60 psi	120 psi	LXPSV4N4	LXPSV4N2
30"/0/100 psi	200 psi	LXPSV5N4	LXPSV5N2
30"/0/150 psi	300 psi	LXPSV6N4	LXPSV6N2
30"/0/200 psi	400 psi	LXPSV7N4	LXPSV7N2
30"/0/300 psi	600 psi	LXPSV8N4	LXPSV8N2
0/15 psi	30 psi	LXPS15N4	LXPS15N2
0/30 psi	60 psi	LXPS30N4	LXPS30N2
0/60 psi	120 psi	LXPS60N4	LXPS60N2
0/100 psi	200 psi	LXPS1HN4	LXPS1HN2
0/150 psi	300 psi	LXPS2HN4	LXPS2HN2
0/200 psi	400 psi	LXPS3HN4	LXPS3HN2
0/300 psi	600 psi	LXPS4HN4	LXPS4HN2
0/500 psi	1,000 psi	LXPS5HN4	LXPS5HN2
0/600 psi	1,200 psi	LXPS6HN4	LXPS6HN2
0/1,000 psi	2,000 psi	LXPS1TN4	LXPS1TN2
0/1,500 psi	3,000 psi	LXPS2TN4	LXPS2TN2
0/2,000 psi	4,000 psi	LXPS3TN4	LXPS3TN2
0/3,000 psi	6,000 psi	LXPS4TN4	LXPS4TN2
0/4,000 psi	8,000 psi	LXPS5TN4	LXPS5TN2
0/5,000 psi	10,000 psi	LXPS6TN4	LXPS6TN2
0/6,000 psi	12,000 psi	LXPS7TN4	LXPS7TN2
0/7,500 psi	13,000 psi	LXPS8TN4	LXPS8TN2
0/10,000 psi	13,000 psi	LXPS9TN4	LXPS9TN2

1/2-14 NPT MALE CONDUIT CONNECTION. USE HAZARDOUS LOCATION CERTIFIED IP66 RATED METALLIC CONDUIT CONNECTOR AND/OR STOPPING BOX

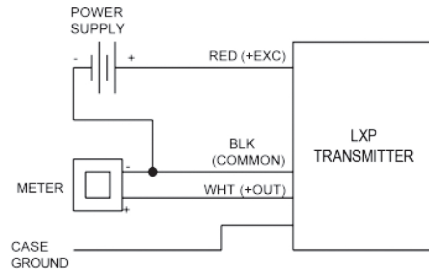


Wiring Diagram

Standard (Current)



Optional (Voltage)



Cable Leads

Cable Colours:	2-wire (current):	3-wire (voltage):
Red	+Excitation	+Excitation
White	-	+Output
Black	-Excitation	Common
Drain	Case Ground	Case Ground

Series Number (how to order)

	L	X	P															
SERIES																		
OUTPUT																		
4...20 mA / 2-wire (standard)																		
0.5...5.5 VDC / 3-wire																		
1...11 VDC / 3-wire																		
PRESSURE RANGE - PSI (BAR)																		
30" Hg (-1/0)																		
30" HG/0/15 (-1/0/1)																		
30" HG/0/30 (-1/0/2)																		
30" HG/0/60 (-1/0/4)																		
30" HG/0/100 (-1/0/6)																		
30" HG/0/150 (-1/0/10)																		
30" HG/0/200 (-1/0/14)																		
30" HG/0/300 (-1/0/20)																		
15																		
30																		
60																		
100																		
150																		
200																		
300																		
500																		
600																		
1000																		
1500																		
2000																		
3000																		
4000																		
5000																		
6000																		
7500																		
10000																		
Special Range																		
PRESSURE																		
Gauge (standard)																		
Absolute (<300 PSI ONLY)																		
ACCURACY																		
0.25% (standard)																		
ELECTRICAL CONNECTION																		
6'6" (2m) Factory Sealed Cable Leads																		
Jacketed / Shielded Cable (standard)																		
MECHANICAL CONNECTION																		
1/4" NPT (standard)																		
1/2" NPT																		
G1/4"																		
7/16-20 UNF-2B Female																		
7/16-20 UNF-2B Male SAE																		
SEAL																		
Welded (standard)																		
PRESSURE PORT																		
17-4 PH																		
DIAPHRAGM																		
316 Stainless Steel																		
SPECIAL																		
Standard																		
Calibrated in PSI																		
Calibrated in BAR																		
Additional Length of Leads (in Inches)																		

Transmitters