

Vacuum to 1,000 psi (100 to 6,900 kPa)



#### Description & Features:

- Various materials and configurations available to fit your specific application
- Unique WinCONNECT fitting allows for easy field removal of gauge or switch for calibration, repair or replacement without interrupting process flow
- Thicker break-resistant instrument stem
- Optional tees for installation of multiple instruments
- ASME B40.100 compliant
- 1 year warranty

#### Applications:

- This isolation ring is ideal for measuring pressures of viscous or slurry media, utilizing a flow-through system that eliminates clogging or pressure blocking from occurring
- Designed for installation in water treatment facilities, mining and pulp & paper plants

Note: WinCONNECT comes standard with all D81 Isolation Rings

#### Order Codes

Specifications		
Sensor Type	WIR	Wafer, nests inside bolt circle
	RIR	Full flange (150# standard, 300# optional)
	SIR	Threaded connections
Pipe I.D.	1" - 48"	1" (25mm) up to 48" (1,220mm). Consult factory for larger sizes
Centre Section	C	Carbon Steel
	S	316 SS
End Plates	S	316 SS
	A	Acetal
	TEF	PTFE
	H	Hastelloy® C
	T	Titanium
	U	UHMW / Ultra High Molecular Weight Polyethylene
Elastomer (Sleeve)	N	Neoprene (-20°F to 220°F)
	B	Nitrile (Buna N) (-20°F to 180°F)
	E	EPDM (Nordel®) (-20°F to 300°F)
	V	Fluoroelastomer (Viton®)
	R	Natural rubber (-49°F to 212°F)
Fill Fluid	SF	Silicone (standard)
	GF	Glycerin
	GW	Glycerin and water
Instrument Connection	4N	1/4" NPTF
	2N	1/2" NPTF

Not all options are available with all sensor types

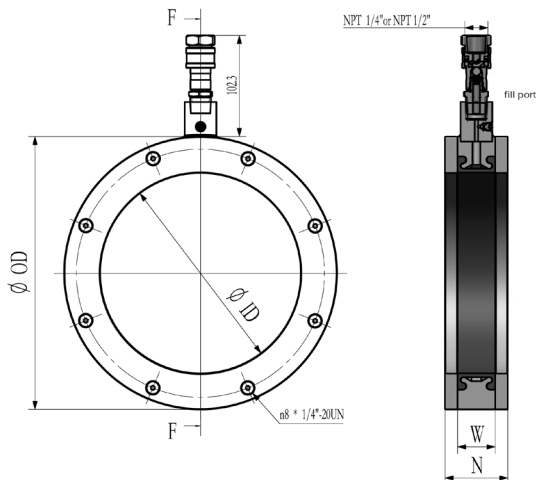
Hastelloy® is a registered trademark of Haynes International, Inc.

Hypalon® is a registered trademark of DuPont Performance Elastomers

Nordel® is a registered trademark of DuPont Dow Elastomers

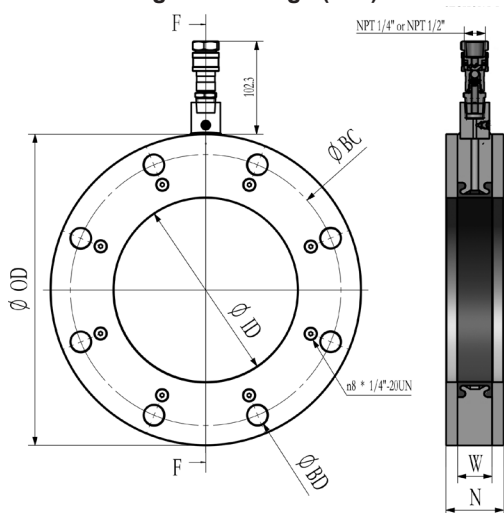
Viton® is a registered trademark of DuPont Performance Elastomers

## Isolation Ring - Wafer Style (WIR)



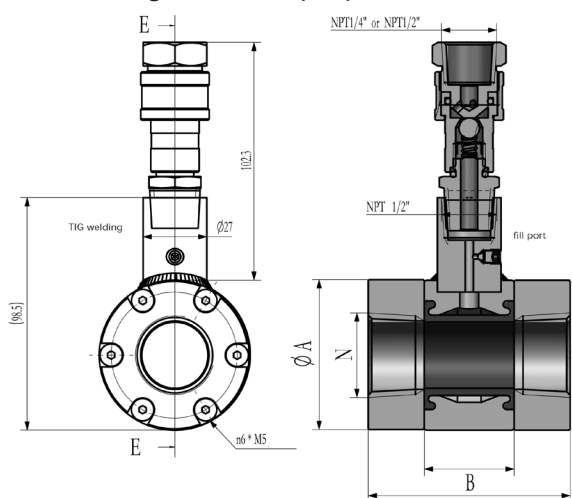
Dimensions				
Size	ID	OD	W	N
2"	2.07"	4.00"	1.50"	2.13"
3"	3.07"	5.25"		
4"	4.03"	6.75"		
6"	5.99"	8.63"		
8"	7.98"	10.88"		
10"	10.02"	13.25"	1.75"	3.00"
12"	12.00"	16.00"		
14"	13.25"	17.63"		
16"	15.25"	20.13"		
18"	17.25"	21.50"		
20"	19.25"	23.75"		

## Isolation Ring - Full Flange (RIR)



Dimensions										
ANSI ASME CLASS	Size	ID	OD	W	N	BC	BD	Number of Mounting Holes		
150#	2"	2.07"	6.00"	1.50"	2.13"	4.75"	0.75"	4		
	3"	3.07"	7.50"			6.00"				
	4"	4.03"	9.00"			7.50"				
	6"	6.07"	11.00"			2.25"			9.50"	0.88"
	8"	7.98"	13.50"			2.50"			11.75"	0.88"
300#	10"	10.02"	16.00"		2.75"	14.25"	1.00"	12		
	2"	2.07"	6.50"		2.13"	5.00"	0.75"	8		
	3"	3.07"	8.25"			6.62"	0.88"			
	4"	4.03"	10.00"			7.88"	0.88"			
	6"	6.07"	12.50"			2.25"	10.62"	1.00"	12	
	8"	7.98"	15.00"	2.50"		13.00"	1.00"	12		
10"	10.02"	17.50"	2.75"	15.25"		1.13"	16			

## Isolation Ring - Threaded (SIR)



Dimensions		
Size N	A	B
0.5"	2.50"	2.87"
0.75"		
1"		
1.5"	3.25"	3.37"
2"	4.00"	
3"	5.25"	
4"	6.75"	



### WinCONNECT Order Codes

Connection	Material	Code
1/2" Process x 1/4" Instrument	Stainless Steel	FIR0400
1/2" Process x 1/2" Instrument		FIR0200