

30 to 2,500 psi (207 to 17,250 kPa)



Description & Features:

- Two piece construction and designed to withstand even the most severe process applications
- “Continuous use” seals - backing plate will prevent diaphragm from rupturing if pressure sensing instrument fails. Pressure will be held until instrument is replaced
- Diaphragm is separable for servicing and is available with a 1/8” NPT or 1/4” NPT flushing connection for removing any material which may clog the process connection
- Standard diaphragm is constructed of AISI 316L stainless steel and welded to the upper chamber of the seal for pressures 30 psi (200 kPa) and above; optional Viton® diaphragm available for ranges from 30” Hg Vacuum (-100 kPa) up to 100 psi (690 kPa). Other diaphragms available
- Viton® diaphragm is highly recommended for applications less than 10 psi
- ASME B40.100 compliant
- CRN registered (all 316 SS only)
- 1 year warranty

Applications:

- Where the process fluid is corrosive or viscous and would clog instrument internals/solidify within the pressure gauge, switch or transmitter

Specifications

Specifications	
Housing	316L SS, Monel®, Hastelloy® C
Diaphragm	316L SS, Monel®, Hastelloy® C, Viton®
Construction	Two piece construction
Gasket Material	Buna N (Viton®, PTFE optional)
Connection	Bottom: 1/4”, 1/2”, 3/4” and 1” NPTF Top: 1/4” and 1/2” NPTF
Process Temperature	-22°F to 212°F (-30°C to 100°C)
Other	Flushing connection available. Other materials such as PTFE, PVC, carbon steel, Alloy 20, Hastelloy® B, titanium, tantalum, etc. are available upon request

Hastelloy® is a registered trademark of Haynes International, Inc.

Monel® is a registered trademark of Inco Alloys International

Viton® is a registered trademark of DuPont Performance Elastomers

Order Codes (products in bold are normally stock in North America)

Lower Housing (Bottom)	
316L SS, 1/4" NPTF	D70954
316L SS, 1/2" NPTF	D70956
316L SS, 1/2" NPTF with flushing	D70957
316L SS, 3/4" NPTF	D70963
316L SS, 3/4" NPTF with flushing	D70959
316L SS, 1" NPTF	D70964
316L SS, 1" NPTF with flushing	D70965
316L SS, 1/4" NPTF Viton®	D70954V
316L SS, 1/2" NPTF Viton®	D70956V
316L SS, 1/2" NPTF with flushing, Viton®	D70957V
316L SS, 3/4" NPTF with flushing, Viton®	D70959V
316L SS, 3/4" NPTF Viton®	D70963V
316L SS, 1" NPTF Viton®	D70964V
316L SS, 1" NPTF with flushing, Viton®	D70965V
Monel®, 1/4" NPTF	D70954M
Monel®, 1/2" NPTF	D70956M
Monel®, 1/2" NPTF with flushing	D70957M
Monel®, 3/4" NPTF with flushing	D70959M
Monel®, 3/4" NPTF	D70963M
Monel®, 1" NPTF	D70964M
Monel®, 1" NPTF with flushing	D70965M
Hastelloy® C, 1/4" NPTF	D70954HASC
Hastelloy® C, 1/2" NPTF	D70956HASC
Hastelloy® C, 1/2" NPTF with flushing	D70957HASC
Hastelloy® C, 3/4" NPTF with flushing	D70959HASC
Hastelloy® C, 3/4" NPTF	D70963HASC
Hastelloy® C, 1" NPTF	D70964HASC
Hastelloy® C, 1" NPTF with flushing	D70965HASC

Upper Housing (Top)	
316L SS, 1/4" NPTF 316L SS diaphragm	D70950
316L SS, 1/4" NPTF Monel® diaphragm	D70950M
316L SS, 1/4" NPTF Hastelloy® C diaphragm	D70950HASC
316L SS, 1/4" NPTF Viton® diaphragm	D70951
316L SS, 1/2" NPTF 316L SS diaphragm	D70952
316L SS, 1/2" NPTF Monel® diaphragm	D70952M
316L SS, 1/2" NPTF Hastelloy® C diaphragm	D70952HASC
316L SS, 1/2" NPTF Viton® diaphragm	D70953

Option suffix for above order code only:

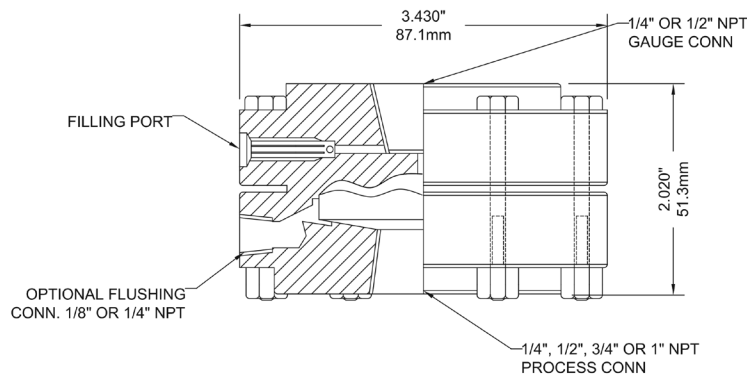
SF-D = Silicone fill (seal only)

FL-D = Fluorolube fill (seal only)

Other fill fluids (seal only) available upon request

Note: Both upper and lower housing must be specified

Example: D70950 - D70956



Hastelloy® is a registered trademark of Haynes International, Inc.
 Monel® is a registered trademark of Inco Alloys International
 Viton® is a registered trademark of DuPont Performance Elastomers