

0 to 1,000 psi (0 to 6,900 kPa)



Description & Features:

- “Continuous use” seals - backing plate will prevent diaphragm from rupturing if pressure sensing instrument fails. Pressure will be held until instrument is replaced
- Various sizes and housing materials available
- ASME B40.100 compliant
- 1 year warranty

Applications:

- Used in industrial applications such as oil refineries, pulp and paper mills and chemical plants

Specifications

Housing	316 SS, Monel®, Hastelloy® B & C, titanium, tantalum, PVC, carbon steel, PTFE, Carpenter 20®, other (nickel plated carbon steel or SS upper housing standard)
Diaphragm	PTFE for increased compatibility, sensitivity and versatility
Construction	Two piece construction
Connection	1/4", 1/2" NPTF gauge connections standard (other NPTF gauge connections available) 1" (25mm), 1.5" (40mm) and 2" (50mm) pipe size and #150 and #300 pressure rating standard (other configurations available)
Maximum Temperature Limit	400°F (204°C)

Order Codes

Type*	Instrument Connection	Diaphragm Material	Lower Housing Wetted Parts	Upper Housing Non-Wetted Parts	
				Carbon Steel	Stainless Steel
1" - 150#RF				Code	
PTFE Diaphragm	1/4" NPTF	PTFE	316 SS - PTFE lined	D44003	D44004
	1/2" NPTF			D44001	D44002
1" - 300#RF					
PTFE Diaphragm	1/4" NPTF	PTFE	316 SS - PTFE lined	D44007	D44008
	1/2" NPTF			D44005	D44006
1.5" - 150#RF					
PTFE Diaphragm	1/4" NPTF	PTFE	316 SS - PTFE lined	D44011	D44012
	1/2" NPTF			D44009	D44010
1.5" - 300#RF					
PTFE Diaphragm	1/4" NPTF	PTFE	316 SS - PTFE lined	D44015	D44016
	1/2" NPTF			D44013	D44014
2" - 150#RF					
PTFE Diaphragm	1/4" NPTF	PTFE	316 SS - PTFE lined	D44019	D44020
	1/2" NPTF			D44017	D44018
2" - 300#RF					
PTFE Diaphragm	1/4" NPTF	PTFE	316 SS - PTFE lined	D44023	D44024
	1/2" NPTF			D44021	D44022

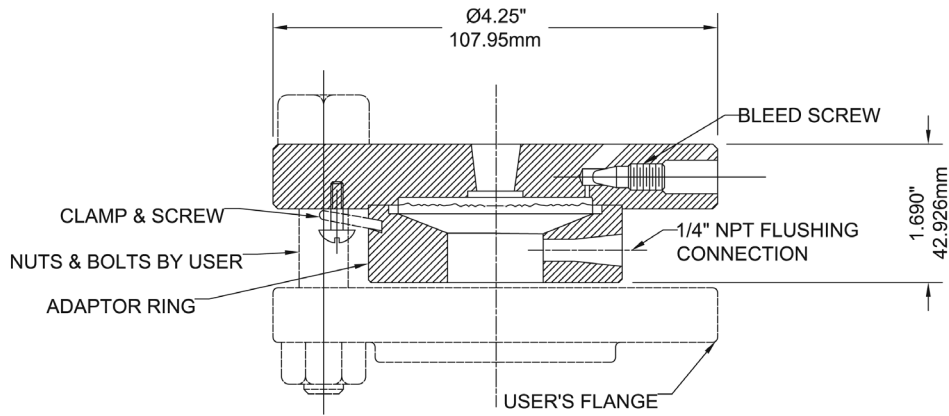
*Replaceable diaphragms available

Carpenter 20® is a registered trademark of Carpenter Technologies

Hastelloy® is a registered trademark of Haynes International, Inc.

Monel® is a registered trademark of Inco Alloys International

150# RF C/W OPTIONAL FLUSHING PORT



300# RF C/W OPTIONAL FLUSHING PORT

