

1. T-Handle Mini Ball Valve (F x M)
2. T-Handle Mini Ball Valve (F x F)
3. Lever Handle Mini Ball Valve (MXF)



Description & Features:

- An economical isolation valve for pressure gauges and transmitters
- Brass or lead free brass wetted parts
- ASME B1.20.1 compliant
- CRN registered
- 1 year warranty

Applications:

- Provides flow control for non-corrosive applications
- Lead free version for potable water systems

Specifications

Body	SMV: #59-1 forged brass SMV-LF: Lead free forged brass
Ball	SS
Gaskets	PTFE
Handle	Steel, plated, plastic covered
Process Temperature	-9°F to 212°F (-23°C to 100°C)
Maximum Operating Pressure	400 psi (2,758 kPa)
Connection	1/4" NPTF x 1/4" NPTM 1/4" NPTF x 1/4" NPTF

SMV Order Codes (products in bold are normally stock in North America)

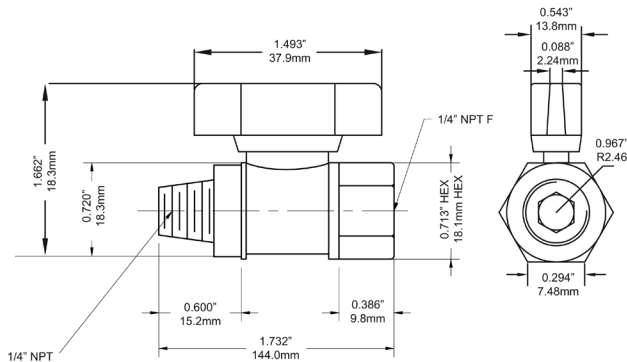
Connection	T-Handle	Lever Handle
F x M	SMV532	SMV500
F x F	SMV533	-

SMV-LF Order Codes (products in bold are normally stock in North America)

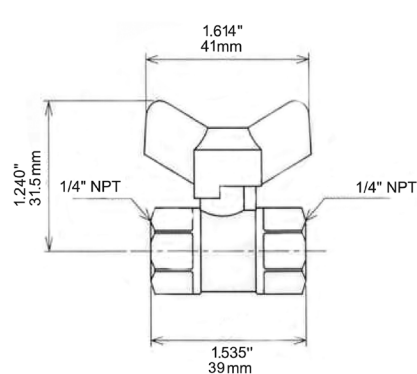
Connection	T-Handle	Lever Handle
F x M	SMV532LF	SMV500LF
F x F	SMV533LF	-

Other sizes and materials available upon request.

T-Handle Mini Ball Valve (M x F)



T-Handle Mini Ball Valve (F x F)



Lever Handle Mini Ball Valve (M x F)

