



Description & Features:

- High accuracy platinum element (Pt100)
- Light weight aluminum connection enclosure
- 2 wire 4-20mA output signal standard
- 316 SS sheath material
- IP54 or ATEX rated enclosure available
- Multi-point and surface mount sensors available
- Available with or without 316 SS thermowells
- 5 year warranty

Applications:

- Refineries, petrochemical plants, gas-to-liquid (GTL) processes, storage tanks, power plants, paper production plants, kilns, food & beverage, etc..

Note: Thermowell optional

Specifications	
Head	Aluminum (standard) or stainless steel
Element	Platinum 100 Ohm Class A as per IEC 751
Output Signal	2-wire 4-20mA (standard), also available without transmitter
Accuracy	±0.15°C at 0°C
Temperature Range	-328°F to 1,022°F (-200°C to 550°C)
Extension Material	Galvanized carbon steel or 316 SS
Sheath Material	316 SS
Pressure Rating	7,000 psi (48,263 kPa) maximum
Process Connection	1/2" NPTM (3/4" NPTM with well)
Conduit Connection	1/2" NPTF
Enclosure Rating	IP54 or ATEX ia

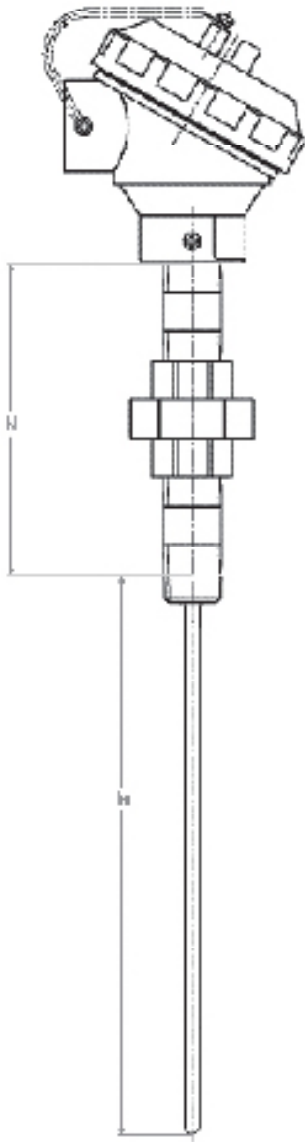
Order Codes

Sensor Length	Extension Material	IP54 Enclosure	ATEX ia Enclosure
4" (100mm)	Galvanized Carbon Steel	TER11100	TER11100XPS2
8" (200mm)		TER11200	TER11200XPS2
12" (300mm)		TER11300	TER11300XPS2
16" (400mm)		TER11400	TER11400XPS2
4" (100mm)	Stainless Steel	TER12100	TER12100XPS2
8" (200mm)		TER12200	TER12200XPS2
12" (300mm)		TER12300	TER12300XPS2
16" (400mm)		TER12400	TER12400XPS2

Other materials, sensor lengths and element types available upon request.
Multi-point and surface mount sensors available upon request.

Option suffix:

TBR = 316 SS threaded thermowell
TWF = 316 SS flanged thermowell
TWW = 316 SS weld-in thermowell



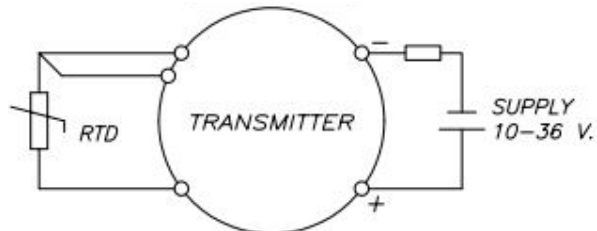
Temperature Range Codes

°F only	Code	°C only	Code
-40°F to 120°F	B14	-80°C to 50°C	B26
-40°F to 160°F	B15	-50°C to 50°C	B27
0°F to 140°F	B16	0°C to 50°C	B28
0°F to 200°F	B17	-50°C to 100°C	B29
20°F to 240°F	B18	0°C to 100°C	B30
0°F to 250°F	B19	-20°C to 120°C	B31
50°F to 300°F	B20	0°C to 150°C	B32
50°F to 400°F	B21	0°C to 200°C	B33
50°F to 550°F	B22	0°C to 300°C	B34
150°F to 750°F	B23	0°C to 450°C	B35
0°F to 800°F	B24	100°C to 550°C	B36
200°F to 1,000°F	B25	-	-

Other temperature ranges available upon request.

Sensor Length	N	Im
4" (100mm)	6.3" (160mm)	4" (100mm)
8" (200mm)		8" (200mm)
12" (300mm)		12" (300mm)
16" (400mm)		16" (400mm)

Wiring



INPUT : Pt100 RESISTANCE VALUE AND TOLERANCES AS PER IEC.751 CLASS B
 RANGE : 0/150 °C
 OUTPUT 4-20 mA