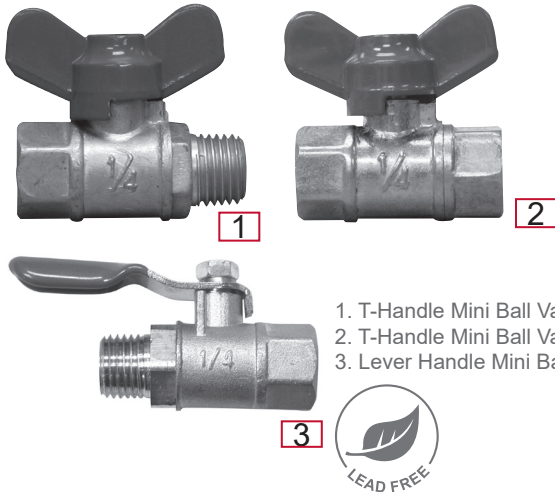


Mini Ball Valve, Lead Free Mini Ball Valve

SMV, SMV-LF



1. T-Handle Mini Ball Valve (F x M)
2. T-Handle Mini Ball Valve (F x F)
3. Lever Handle Mini Ball Valve (MXF)


Description & Features:

- An economical isolation valve for pressure gauges and transmitters
- Brass or lead free brass wetted parts
- ASME B1.20.1 compliant
- CRN registered
- 1 year warranty

Applications:

- Provides flow control for non-corrosive applications
- Lead free version for potable water systems

Specifications

| | |
|-----------------------------------|--|
| Body | SMV: #59-1 forged brass SMV-LF: Lead free forged brass |
| Ball | SS |
| Gaskets | PTFE |
| Handle | Steel, plated, plastic covered |
| Process Temperature | -9°F to 212°F (-23°C to 100°C) |
| Maximum Operating Pressure | 400 psi (2,758 kPa) |
| Connection | 1/4" NPTF x 1/4" NPTM 1/4" NPTF x 1/4" NPTF |
| Warning |  WARNING: This product can expose you to chemicals including lead, which is known to the State of California to cause cancer and birth defects or other reproductive harm. For more information go to www.P65Warnings.ca.gov . |

SMV Order Codes (products in bold are normally stock in North America)

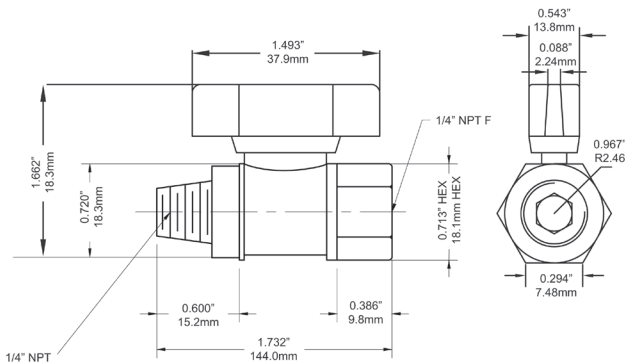
| Connection | T-Handle | Lever Handle |
|------------|---------------|---------------|
| F x M | SMV532 | SMV500 |
| F x F | SMV533 | - |

SMV-LF Order Codes (products in bold are normally stock in North America)

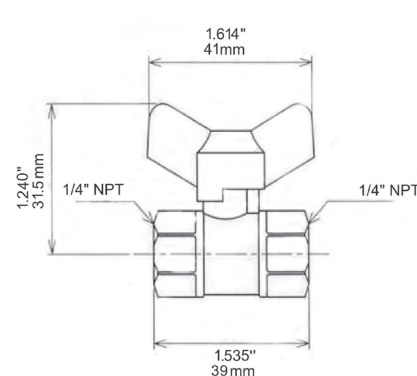
| Connection | T-Handle | Lever Handle |
|------------|-----------------|-----------------|
| F x M | SMV532LF | SMV500LF |
| F x F | SMV533LF | - |

Other sizes and materials available upon request.

T-Handle Mini Ball Valve (M x F)



T-Handle Mini Ball Valve (F x F)



Lever Handle Mini Ball Valve (M x F)

