

StabiliZR™
power

Note: RoHS applies to SS and Monel® internals only

Description & Features:

- StabiliZR™ dampened movement minimizes effects of pulsation and vibration as effectively as liquid filled gauges
- Solid phenolic front and polypropylene pressure relief back safety case
- ±0.5% accuracy
- Stainless steel full rotary movement
- Micrometer adjustable pointer for ease in calibration
- Under and overload stops
- 316L stainless steel or brass wetted parts standard
- Restricted orifice standard on dual scale (optional on single scale)
- ASME B40.100 compliant
- CRN registered
- 5 year warranty

Applications:

- Ideally suited for process, chemical, petroleum and power industries
- Suitable for non-clogging corrosive media
- Used where operator safety is a requirement
- Processes where pulsation and vibration exist

| Specifications | Stainless Steel Internals | Brass Internals |
|---------------------------------------|-----------------------------------------------------------------------------------------------------------------------------------------------------------------------|------------------------------------------------------------------------------------------------------------------------------------------------------------------------------------------------------------------------------------------------------------------------------------|
| Dial | 4.5" (115mm) aluminum with black and red markings | 4.5" (115mm) white aluminum with black and red markings |
| Case | Black phenolic with pressure relief back, solid front, integral back flange | Black phenolic with pressure relief back, solid front, integral back flange |
| Solid Wall | Phenolic | Phenolic |
| Pressure Relief Back | Polypropylene | Polypropylene |
| Window | Polycarbonate | Polycarbonate |
| Ring | Phenolic | Phenolic |
| Pointer | Aluminum, anodized black, micrometer adjustable | Aluminum, anodized black, micrometer adjustable |
| Socket | 316L SS | OT 58 brass |
| Connection | 1/4" or 1/2" NPT standard, bottom or back | 1/4" NPT or 1/2" NPT standard, bottom or back |
| Bourdon Tube | 316L SS, drawn seamless | Phosphor bronze |
| Movement | 304 SS with under and overload stops and StabiliZR™ dampened movement (silicone in sealed chamber) | 304 SS with under and overload stops and StabiliZR™ dampened movement (silicone in sealed chamber) |
| Gasket Materials | Silicone (FKM option) | Silicone (FKM option) |
| Welding | TIG | Silver alloy |
| Over-pressure Limit | 25% for pressures below 1,500 psi (10,341 kPa), 15% for pressures 1,500 to 8,700 psi (10,341 kPa to 59,984 kPa), 10% for pressures above 8,700 psi (59,984 kPa) | 25% for pressures below 1,500 psi (10,341 kPa), 15% for pressures 1,500 to 8,700 psi (10,341 kPa to 59,984 kPa), 10% for pressures above 8,700 psi (59,984 kPa) |
| Working Pressure | Maximum 75% of full scale value | Maximum 75% of full scale value |
| Ambient Temperature | -40°F to 250°F (-40°C to 120°C) | -40°F to 250°F (-40°C to 120°C) |
| Process Temperature | -40°F to 250°F (-40°C to 120°C) | -40°F to 150°F (-40°C to 65°C) |
| Accuracy | ±0.5% ANSI/ASME Grade 2A | ±0.5% ANSI/ASME Grade 2A |
| Enclosure Rating | IP65 | IP65 |
| Warning (brass internals only) | N/A | ⚠ WARNING: This product can expose you to chemicals including lead, which is known to the State of California to cause cancer and birth defects or other reproductive harm. For more information go to www.P65Warnings.ca.gov . |

**Single Scale Order Codes (products in bold are normally stock in North America)
(products in italics are normally available in 3-5 days)**

| Connection | 1/4" Bottom | 1/4" Back (LB) | 1/4" Bottom | 1/4" Back (LB) | 1/2" Bottom | 1/2" Back (LB) |
|---------------|-------------|----------------|--------------------|----------------|--------------------|----------------|
| Socket, Tube | Brass | | SS | | | |
| 30" Hg Vac | PPC5080ZRR1 | PPC5280ZRR1 | PPC5040ZRR1 | PPC5340ZRR1 | PPC5060ZRR1 | PPC5460ZRR1 |
| 30"/0/15 psi | PPC5120ZRR1 | PPC5220ZRR1 | PPC5130ZRR1 | PPC5330ZRR1 | PPC5140ZRR1 | PPC5440ZRR1 |
| 30"/0/30 psi | PPC5121ZRR1 | PPC5221ZRR1 | PPC5131ZRR1 | PPC5331ZRR1 | PPC5141ZRR1 | PPC5441ZRR1 |
| 30"/0/60 psi | PPC5122ZRR1 | PPC5222ZRR1 | PPC5132ZRR1 | PPC5332ZRR1 | PPC5142ZRR1 | PPC5442ZRR1 |
| 30"/0/100 psi | PPC5123ZRR1 | PPC5223ZRR1 | PPC5133ZRR1 | PPC5333ZRR1 | PPC5143ZRR1 | PPC5443ZRR1 |
| 30"/0/160 psi | PPC5124ZRR1 | PPC5224ZRR1 | PPC5134ZRR1 | PPC5334ZRR1 | PPC5144ZRR1 | PPC5444ZRR1 |
| 30"/0/200 psi | PPC5125ZRR1 | PPC5225ZRR1 | PPC5135ZRR1 | PPC5335ZRR1 | PPC5145ZRR1 | PPC5445ZRR1 |
| 30"/0/300 psi | PPC5126ZRR1 | PPC5226ZRR1 | PPC5136ZRR1 | PPC5336ZRR1 | PPC5146ZRR1 | PPC5446ZRR1 |
| 0/15 psi | PPC5081ZRR1 | PPC5281ZRR1 | PPC5041ZRR1 | PPC5341ZRR1 | PPC5061ZRR1 | PPC5461ZRR1 |
| 0/30 psi | PPC5082ZRR1 | PPC5282ZRR1 | PPC5042ZRR1 | PPC5342ZRR1 | <i>PPC5062ZRR1</i> | PPC5462ZRR1 |
| 0/60 psi | PPC5083ZRR1 | PPC5283ZRR1 | <i>PPC5043ZRR1</i> | PPC5343ZRR1 | PPC5063ZRR1 | PPC5463ZRR1 |
| 0/100 psi | PPC5084ZRR1 | PPC5284ZRR1 | <i>PPC5044ZRR1</i> | PPC5344ZRR1 | PPC5064ZRR1 | PPC5464ZRR1 |
| 0/160 psi | PPC5085ZRR1 | PPC5285ZRR1 | <i>PPC5045ZRR1</i> | PPC5345ZRR1 | <i>PPC5065ZRR1</i> | PPC5465ZRR1 |
| 0/200 psi | PPC5086ZRR1 | PPC5286ZRR1 | PPC5046ZRR1 | PPC5346ZRR1 | PPC5066ZRR1 | PPC5466ZRR1 |
| 0/300 psi | PPC5087ZRR1 | PPC5287ZRR1 | PPC5047ZRR1 | PPC5347ZRR1 | PPC5067ZRR1 | PPC5467ZRR1 |
| 0/400 psi | PPC5088ZRR1 | PPC5288ZRR1 | PPC5048ZRR1 | PPC5348ZRR1 | PPC5068ZRR1 | PPC5468ZRR1 |
| 0/600 psi | PPC5089ZRR1 | PPC5289ZRR1 | PPC5049ZRR1 | PPC5349ZRR1 | PPC5069ZRR1 | PPC5469ZRR1 |
| 0/800 psi | - | - | PPC5058ZRR1 | PPC5358ZRR1 | PPC5078ZRR1 | PPC5478ZRR1 |
| 0/1,000 psi | PPC5098ZRR1 | PPC5298ZRR1 | PPC5050ZRR1 | PPC5350ZRR1 | PPC5070ZRR1 | PPC5470ZRR1 |
| Connection | 1/2" Bottom | 1/2" Back (LB) | 1/4" Bottom | 1/4" Back (LB) | 1/2" Bottom | 1/2" Back (LB) |
| 0/1,000 psi | PPC5188ZRR1 | PPC5290ZRR1 | PPC5050ZRR1 | PPC5350ZRR1 | PPC5070ZRR1 | PPC5470ZRR1 |
| 0/1,500 psi | PPC5091ZRR1 | PPC5291ZRR1 | PPC5051ZRR1 | PPC5351ZRR1 | PPC5071ZRR1 | PPC5471ZRR1 |
| 0/2,000 psi | PPC5092ZRR1 | PPC5292ZRR1 | PPC5052ZRR1 | PPC5352ZRR1 | PPC5072ZRR1 | PPC5472ZRR1 |
| 0/3,000 psi | PPC5093ZRR1 | PPC5293ZRR1 | PPC5053ZRR1 | PPC5353ZRR1 | <i>PPC5073ZRR1</i> | PPC5473ZRR1 |
| 0/5,000 psi | PPC5094ZRR1 | PPC5294ZRR1 | PPC5054ZRR1 | PPC5354ZRR1 | PPC5074ZRR1 | PPC5474ZRR1 |
| 0/10,000 psi | PPC5095ZRR1 | PPC5295ZRR1 | PPC5055ZRR1 | PPC5355ZRR1 | PPC5075ZRR1 | PPC5475ZRR1 |
| 0/15,000 psi | PPC5096ZRR1 | PPC5296ZRR1 | PPC5056ZRR1 | PPC5356ZRR1 | PPC5076ZRR1 | PPC5476ZRR1 |
| 0/20,000 psi | PPC5097ZRR1 | PPC5297ZRR1 | PPC5057ZRR1 | PPC5357ZRR1 | PPC5077ZRR1 | PPC5477ZRR1 |

Note: Restrictor screws are not standard on single scale gauges

Other ranges and connection sizes available upon request. For scale change, refer to How to Order Guide for scale codes. 1/2" NPT brass available on ranges below 1,000 psi.

For options, attach suffix to end of order code: i.e. PPC5284ZRR1-FMR for FLUSH MOUNTED RING.

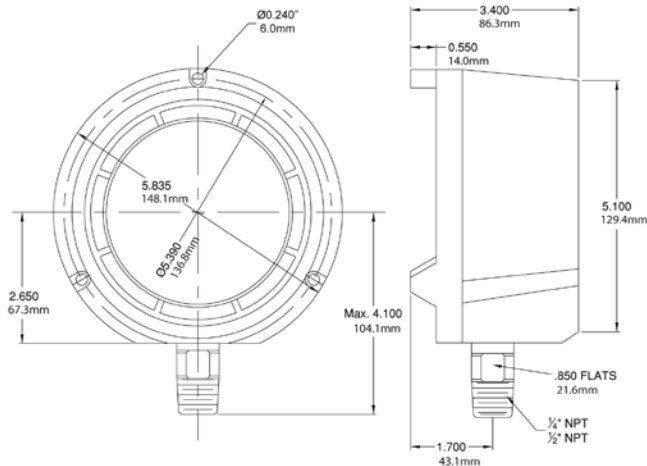
Option suffix:

- CS = Carbon steel socket/stainless steel tube
- FMR = Flush mounted ring
- HCSF = 4.5" (115mm) Solid front hinged case (back connection only)
- MAXI45 = 4.5" (115mm) Maxi pointer

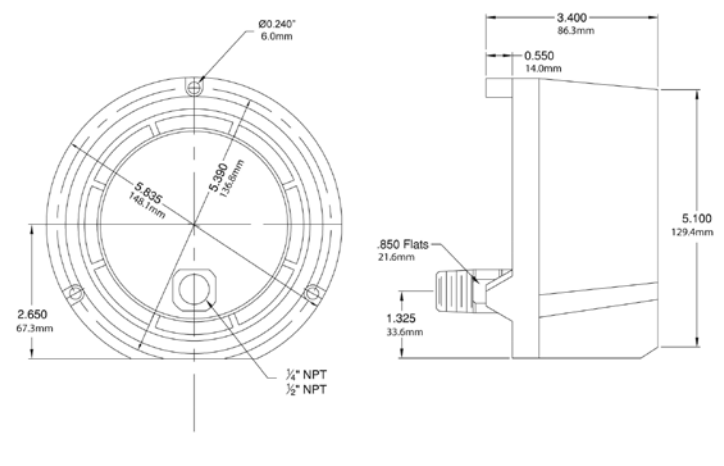
- MS = Monel® tube and socket
- SG-45 = 4.5" (115mm) Safety glass
- REST = Restrictor screw

For WinBRIGHT dial options refer to Custom Dials

4.5" Bottom Connection



4.5" Back Connection



Dual Scale Order Codes (products in bold are normally stock in North America)
(products in italics are normally available in 3 - 5 days)

| Connection | 1/4" Bottom | 1/4" Back (LB) | 1/4" Bottom | 1/4" Back (LB) | 1/2" Bottom | 1/2" Back (LB) |
|-------------------|------------------|----------------|------------------|----------------|------------------|----------------|
| Socket, Tube | Brass | | SS | | | |
| 30" Hg Vac/kPa | PPC5080ZR | PPC5280ZR | PPC5040ZR | PPC5340ZR | PPC5060ZR | PPC5460ZR |
| 30"/0/15 psi/kPa | PPC5120ZR | PPC5220ZR | PPC5130ZR | PPC5330ZR | PPC5140ZR | PPC5440ZR |
| 30"/0/30 psi/kPa | PPC5121ZR | PPC5221ZR | PPC5131ZR | PPC5331ZR | PPC5141ZR | PPC5441ZR |
| 30"/0/60 psi/kPa | PPC5122ZR | PPC5222ZR | PPC5132ZR | PPC5332ZR | PPC5142ZR | PPC5442ZR |
| 30"/0/100 psi/kPa | PPC5123ZR | PPC5223ZR | PPC5133ZR | PPC5333ZR | PPC5143ZR | PPC5443ZR |
| 30"/0/160 psi/kPa | PPC5124ZR | PPC5224ZR | PPC5134ZR | PPC5334ZR | PPC5144ZR | PPC5444ZR |
| 30"/0/200 psi/kPa | PPC5125ZR | PPC5225ZR | PPC5135ZR | PPC5335ZR | PPC5145ZR | PPC5445ZR |
| 30"/0/300 psi/kPa | PPC5126ZR | PPC5226ZR | PPC5136ZR | PPC5336ZR | PPC5146ZR | PPC5446ZR |
| 0/15 psi/kPa | <i>PPC5081ZR</i> | PPC5281ZR | PPC5041ZR | PPC5341ZR | PPC5061ZR | PPC5461ZR |
| 0/30 psi/kPa | <i>PPC5082ZR</i> | PPC5282ZR | <i>PPC5042ZR</i> | PPC5342ZR | PPC5062ZR | PPC5462ZR |
| 0/60 psi/kPa | <i>PPC5083ZR</i> | PPC5283ZR | <i>PPC5043ZR</i> | PPC5343ZR | PPC5063ZR | PPC5463ZR |
| 0/100 psi/kPa | <i>PPC5084ZR</i> | PPC5284ZR | <i>PPC5044ZR</i> | PPC5344ZR | PPC5064ZR | PPC5464ZR |
| 0/160 psi/kPa | <i>PPC5085ZR</i> | PPC5285ZR | <i>PPC5045ZR</i> | PPC5345ZR | PPC5065ZR | PPC5465ZR |
| 0/200 psi/kPa | <i>PPC5086ZR</i> | PPC5286ZR | <i>PPC5046ZR</i> | PPC5346ZR | <i>PPC5066ZR</i> | PPC5466ZR |
| 0/300 psi/kPa | <i>PPC5087ZR</i> | PPC5287ZR | <i>PPC5047ZR</i> | PPC5347ZR | <i>PPC5067ZR</i> | PPC5467ZR |
| 0/400 psi/kPa | <i>PPC5088ZR</i> | PPC5288ZR | PPC5048ZR | PPC5348ZR | <i>PPC5068ZR</i> | PPC5468ZR |
| 0/600 psi/kPa | <i>PPC5089ZR</i> | PPC5289ZR | PPC5049ZR | PPC5349ZR | <i>PPC5069ZR</i> | PPC5469ZR |
| 0/800 psi/kPa | PPC5099ZR | PPC5299ZR | PPC5058ZR | PPC5358ZR | PPC5078ZR | PPC5478ZR |
| 0/1,000 psi/kPa | PPC5098ZR | PPC5298ZR | PPC5050ZR | PPC5350ZR | <i>PPC5070ZR</i> | PPC5470ZR |
| Connection | 1/2" | 1/2" | 1/4" | 1/4" | 1/2" | 1/2" |
| 0/800 psi/kPa | PPC5188ZR | PPC5198ZR | PPC5058ZR | PPC5358ZR | PPC5078ZR | PPC5478ZR |
| 0/1,000 psi/kPa | PPC5090ZR | PPC5290ZR | PPC5050ZR | PPC5350ZR | <i>PPC5070ZR</i> | PPC5470ZR |
| 0/1,500 psi/kPa | PPC5091ZR | PPC5291ZR | PPC5051ZR | PPC5351ZR | <i>PPC5071ZR</i> | PPC5471ZR |
| 0/2,000 psi/kPa | PPC5092ZR | PPC5292ZR | PPC5052ZR | PPC5352ZR | <i>PPC5072ZR</i> | PPC5472ZR |
| 0/3,000 psi/kPa | PPC5093ZR | PPC5293ZR | PPC5053ZR | PPC5353ZR | <i>PPC5073ZR</i> | PPC5473ZR |
| 0/5,000 psi/kPa | PPC5094ZR | PPC5294ZR | PPC5054ZR | PPC5354ZR | <i>PPC5074ZR</i> | PPC5474ZR |
| 0/10,000 psi/kPa | PPC5095ZR | PPC5295ZR | PPC5055ZR | PPC5355ZR | <i>PPC5075ZR</i> | PPC5475ZR |
| 0/15,000 psi/kPa | PPC5096ZR | PPC5296ZR | PPC5056ZR | PPC5356ZR | PPC5076ZR | PPC5476ZR |
| 0/20,000 psi/kPa | PPC5097ZR | PPC5297ZR | PPC5057ZR | PPC5357ZR | PPC5077ZR | PPC5477ZR |

Other ranges and connection sizes available upon request. For scale change, refer to How to Order Guide for scale codes. 1/2" NPT brass available on ranges below 1,000 psi/kPa. **For options, attach suffix to end of order code: i.e. PPC5284ZR-FMR for FLUSH MOUNTED RING.**

Option suffix:

CS = Carbon steel socket/stainless steel tube
 FMR = Flush mounted ring
 HCSF = 4.5" (115mm) Solid front hinged case (back connection only)

MAXI45 = 4.5" (115mm) Maxi pointer
 MS = Monel® tube and socket
 SG-45 = 4.5" (115mm) Safety glass

For WinBRIGHT dial options refer to Custom Dials