



### Description & Features:

- Low pressure gauge built into protective case for ease in use and durability
- Sensitive diaphragm gauge available in 3 pressure ranges
- Re-zero with external recalibration screw (PLT35 only)
- Easier to use than a manometer
- Plastic blow molded case for added durability
- Sleek design featuring secure latch
- Facilitates safe handling
- ASME B40.100 compliant
- CRN registered
- 5 year warranty

### Applications:

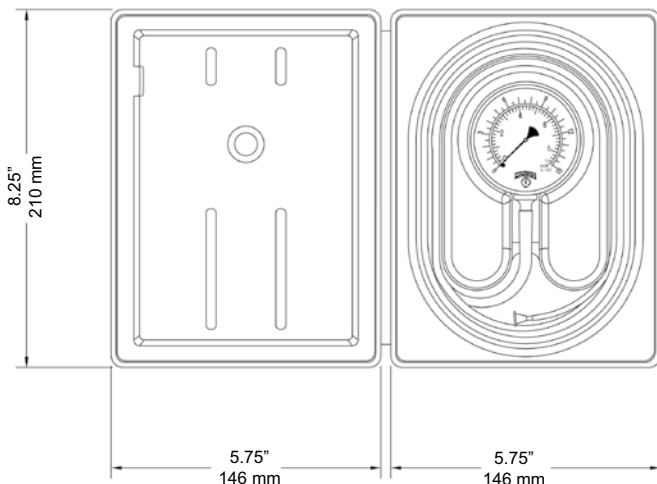
- Test kit for low pressure gas installations
- Suitable for non-clogging and non-corroding media

Gauge Specifications	
Dial	2.5" (63mm), white aluminum with red and black markings
Case/Ring	Steel, painted black
Lens	Polycarbonate
Connection	Brass hose barb (1/4") (gear clamp included)
Diaphragm Element	Phosphor bronze
Movement	Engineering plastic upper and lower plate with brass pinion and sector, with zero adjustment*
Ambient Temperature	-40°F to 150°F (-40°C to 65°C)
Accuracy	±3-2-3% ANSI/ASME Grade B
Enclosure Rating	IP52
Warning	<b>⚠ WARNING:</b> This product can expose you to chemicals including lead, which is known to the State of California to cause cancer and birth defects or other reproductive harm. For more information go to <a href="http://www.P65Warnings.ca.gov">www.P65Warnings.ca.gov</a> .

Case and Accessory Specifications	
Tube Nipple	Rubber: 0.256" (6.5mm) ID x 0.472" (12mm) OD x 1.339" (34mm) 1/4" NPTM x 1/4" hose barb
Case Material	Plastic blow molded: 5.75" x 8.25" (146mm x 210mm)
Hose Tube	Rubber: 3' (91cm) in length; 0.197" (5mm) ID x 0.315" (8mm) OD
Accessory	Easy to install clamp

### Order Codes (products in bold are normally stock in North America)

Pressure Range	Code
0/15" water / 0/8 oz/in <sup>2</sup>	PLT15
0/35" water / 0/20 oz/in <sup>2</sup>	<b>PLT35</b>
0/100" water / 0/58 oz/in <sup>2</sup>	PLT100



\*Zero adjustment available on PLT35 only