




Description & Features:

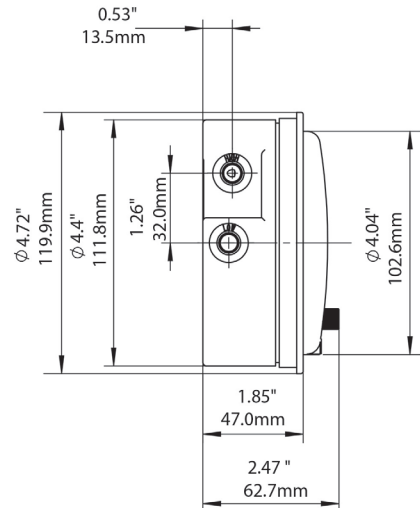
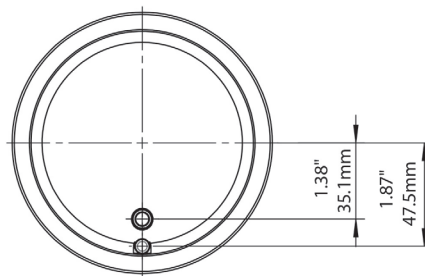
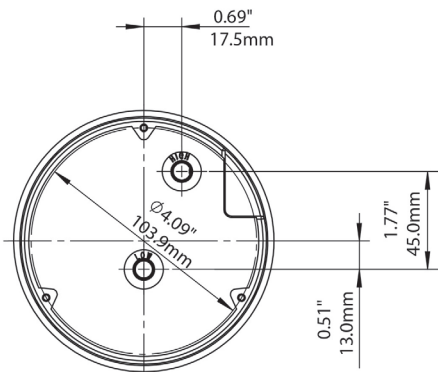
- Resistance-free differential gauge for all air and non-corrosive gas installations
- Industrial grade die-cast aluminum case
- Extreme temperature tolerance with o-ring seal
- Easily accessible re-zero adjustment screw
- 2% full scale accuracy*
- 3 mounting adapters with screws included, other mounting accessories also available
- 5 year warranty

Applications:

- Low pressure and differential monitoring for air and non-combustible gases including filters, blowers, vacuums, air handlers and clean rooms

Specifications

Dial	4" (100mm), white aluminum with black markings
Case	Die-cast black aluminum
Lens	Polycarbonate
Ring	Threaded die-cast black aluminum
Connection	1/8" NPTF high & low pressure taps, side & back
Movement	Resistance-free and magnetic
Pointer	Aluminum, anodized black
Over-pressure Limit	Maximum pressure of 14.5 psi / 100 kPa
Ambient/Process Temperature	-40°F to 140°F (-40°C to 60°C) 14°F to 140°F (-10°C to 60°C)
Accuracy	±2% of full scale value*
Enclosure Rating	IP54
Warning	 WARNING: This product can expose you to chemicals including lead, which is known to the State of California to cause cancer and birth defects or other reproductive harm. For more information go to www.P65Warnings.ca.gov .



Note: PFD to only be mounted in a vertical position.

* Unless otherwise noted.

"H2O Order Codes (products in bold are normally stock in North America)

Dial Size	4" (100mm)
Connection	1/8" Side & Back
Case Material	Aluminum
-0.25/0/0.25 "H2O	PFD40100 ▲
-0.5/0/0.5 "H2O	PFD40101
-1/0/1 "H2O	PFD40102
-2/0/2 "H2O	PFD40103
-5/0/5 "H2O	PFD40104
-10/0/10 "H2O	PFD40105
-15/0/15 "H2O	PFD40106
0/0.25 "H2O	PFD40010 ▲
0/0.5 "H2O	PFD40011
0/1 "H2O	PFD40012
0/2 "H2O	PFD40013
0/3 "H2O	PFD40014
0/4 "H2O	PFD40015
0/5 "H2O	PFD40016
0/6 "H2O	PFD40017
0/8 "H2O	PFD40018
0/10 "H2O	PFD40019
0/12 "H2O	PFD40020
0/15 "H2O	PFD40021
0/20 "H2O	PFD40022
0/25 "H2O	PFD40023
0/30 "H2O	PFD40024
0/40 "H2O	PFD40025
0/50 "H2O	PFD40026
0/60 "H2O	PFD40027
0/80 "H2O	PFD40028
0/100 "H2O	PFD40029
0/120 "H2O	PFD40030
0/150 "H2O	PFD40031

Note: Max. pressure rating is 14.5 psi

mmH2O Order Codes

Dial Size	4" (100mm)
Connection	1/8" Side & Back
Case Material	Aluminum
-3/0/3 mmH2O	PFD40350▲
-5/0/5 mmH2O	PFD40351 ▲
-10/0/10 mmH2O	PFD40352
0/6 mmH2O	PFD40300 ▲
0/10 mmH2O	PFD40301 ▲
0/15 mmH2O	PFD40302
0/20 mmH2O	PFD40303
0/25 mmH2O	PFD40304
0/30 mmH2O	PFD40305
0/50 mmH2O	PFD40306
0/80 mmH2O	PFD40307
0/100 mmH2O	PFD40308
0/125 mmH2O	PFD40309
0/150 mmH2O	PFD40310
0/200 mmH2O	PFD40311
0/250 mmH2O	PFD40312
0/300 mmH2O	PFD40313



RSP - Setpoint indicator

PSI Order Codes (products in bold are normally stock in North America)

Dial Size	4" (100mm)
Connection	1/8" Side & Back
Case Material	Aluminum
0/1 psi	PFD40150
0/2 psi	PFD40151
0/3 psi	PFD40152
0/4 psi	PFD40153
0/5 psi	PFD40154

PA Order Codes (products in bold are normally stock in North America)

Dial Size	4" (100mm)
Connection	1/8" Side & Back
Case Material	Aluminum
-50/0/50 PA	PFD40200▲
-60/0/60 PA	PFD40201▲
-100/0/100 PA	PFD40202
-125/0/125 PA	PFD40403 ▲
-150/0/150 PA	PFD40404
-200/0/200 PA	PFD40405
-250/0/250 PA	PFD40406
-300/0/300 PA	PFD40407
-500/0/500 PA	PFD40408
0/50 PA	PFD40210
0/60 PA	PFD40211
0/100 PA	PFD40212
0/125 PA	PFD40213
0/150 PA	PFD40214
0/200 PA	PFD40215
0/250 PA	PFD40216
0/300 PA	PFD40217
0/500 PA	PFD40218
0/750 PA	PFD40219
0/1,000 PA	PFD40220

Other ranges and connection sizes available upon request. For scale change, refer to How to Order Guide for scale codes.

For options, attach suffix to end of order code: i.e. **PFD40031-RSP** for SETPOINT INDICATOR. Contact Winters for additional options

Option suffix:

RSP = Setpoint indicator

Options Order Codes

(products in bold are normally stock in North America)

Description	Code
Hanging Bracket	PFD1001
Surface Mounting Bracket	PFD1002
3-Way Valve	PFD1003
Flush Mounting Bracket	PFD1004
Air Filter Kit	PFD1005
2" Pipe Mounting Kit	PFD1006
Flange for Panel Mounting	PFD1007
Square Flush Mount Kit	PFD1008

▲ ±3% of full scale value accuracy

▲ ±4% of full scale value accuracy